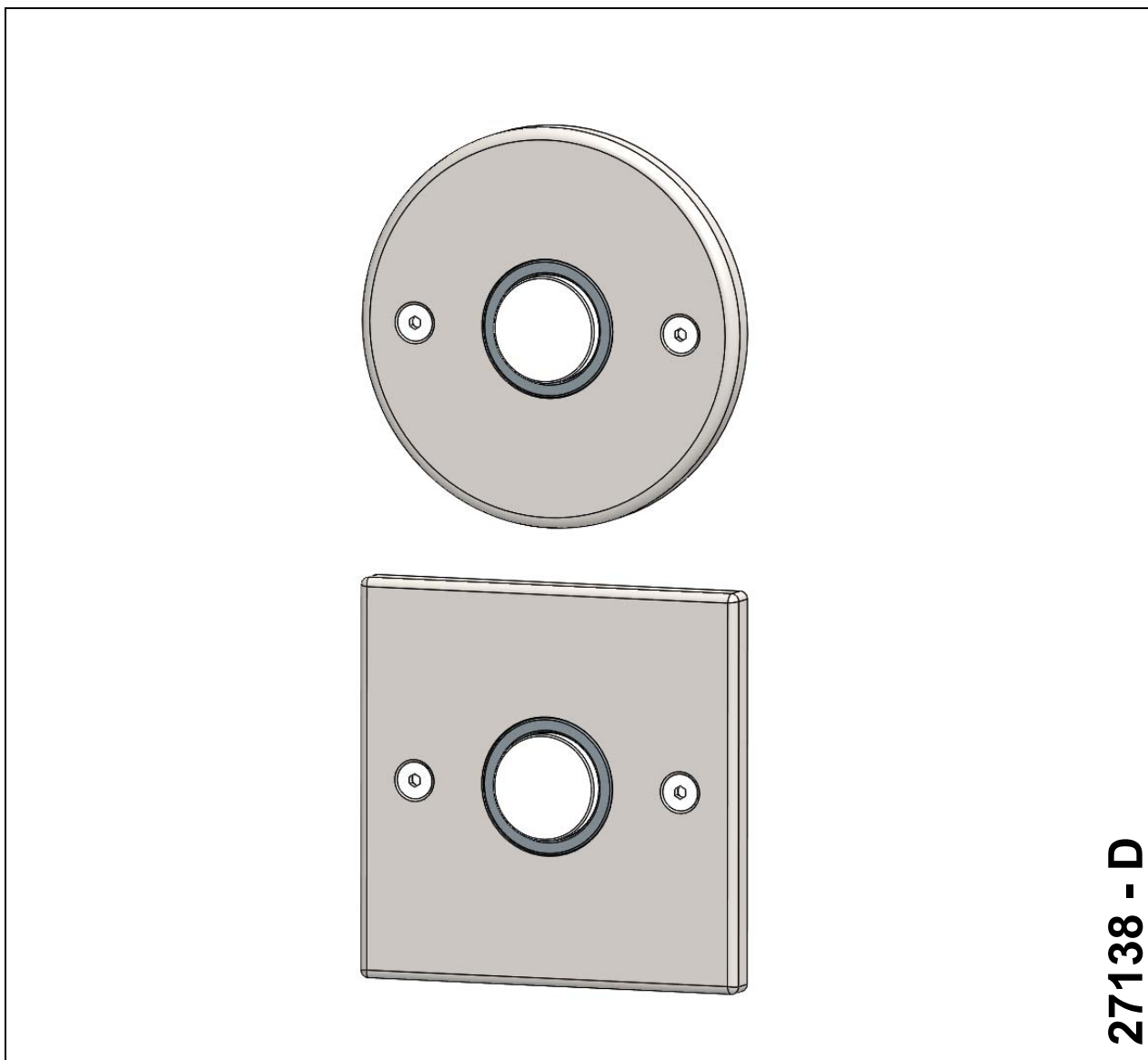


## Touch key

**GB** Operator's Manual

Translation of the original



27138 - D

# Table of contents

<b>1</b>	<b>General information .....</b>	<b>3</b>
1.1	User information .....	3
1.2	Other applicable documents .....	3
1.3	Safety instructions .....	3
1.4	Proper use .....	4
1.5	Responsibilities of the operator .....	4
1.6	Signs and symbols .....	4
1.7	Disposal .....	5
<b>2</b>	<b>Description of the device / technical data .....</b>	<b>5</b>
2.1	Description of the device .....	5
2.2	Technical data .....	5
<b>3</b>	<b>Preparation for installation and assembly .....</b>	<b>5</b>
3.1	Installation process - general information .....	5
3.2	Installation process for concrete tile pools and/or pools with brush-applied sealant .....	6
3.3	Installation process for concrete liner pool .....	7
3.4	Installation process pre-fabricated pools .....	8
3.5	Compensation option .....	9
<b>4</b>	<b>Electrical connection .....</b>	<b>10</b>
4.1	Sensor button- Connection assignment .....	10
4.2	Sensor button - Technical informations .....	10
4.3	Connection cable .....	10
4.4	Installationshinweis und Kabellängen .....	11

# 1 General information

## 1.1 User information

This Operator's Manual makes it easier to become familiar with the device and make full use of its range of options.

It contains important information for operating the device, properly and economically. Observing the instructions helps to avoid dangers, avoid repair costs and downtimes, increase reliability and extend the service life of the device.

The device is built according to the state of the art and recognised technical rules. Nevertheless, danger to life and limb of the operator or third parties, or damage to other property may arise during use.

## 1.2 Other applicable documents

There are various documents which belong together with the Technical Documentation for the device. They are:

- Operator's Manual for the device
- The Operator's Manual for the drive
- The Operator's Manual for the accessories listed in the specification
- Acceptance reports from TÜV, etc.
- Performance run report
- Assembly drawing (dimension sheet)
- Specification with all information

Not all the documents named above exist or are included in every case. Observe the information in the specification in this regard.

## 1.3 Safety instructions

- **Make certain before commissioning that the operating personnel have read and understood the Operator's Manual.** It is the owner rather than the operator who is responsible for safety!
- The safety requirements and laws for the use of the device which apply to the operating company and/or country in which it is operated must be observed.
- Use the device only when it is in flawless condition technically and according to its intended purpose. Be conscious of safety and dangers and observe all the instructions in this Operator's Manual!
- Eliminate all malfunctions that could have a detrimental effect on safety immediately.
- Notices placed directly on the centrifugal pump, such as the arrow for direction of rotation and identification of fluid connections, must always be observed and must be maintained in legible condition.
- The installation, operating, maintenance, and upkeep instructions in these Operating Instructions must be observed.



## 1.7 Disposal



### Device:

Dispose of the device in accordance with local requirements for disposal of industrial waste.

## 2 Description of the device / technical data

### 2.1 Description of the device

The sensor button is designed for wall installation in public and private swimming pools. It is used to switch an electrical device on and off.

### 2.2 Technical data

Material for installation kit:	ABS / titanium
Preassembled unit material:	ABS / Titan / 1.4571
Dimensions of installation kit (brush-applied sealant flange):	Depth 51 mm (256 mm) - (200x200x6 mm)
Dimensions of assembly kit:	105 mm x 105 mm x 10 mm
Standard length (cable)	2 m

## 3 Preparation for installation and assembly

### 3.1 Installation process - general information

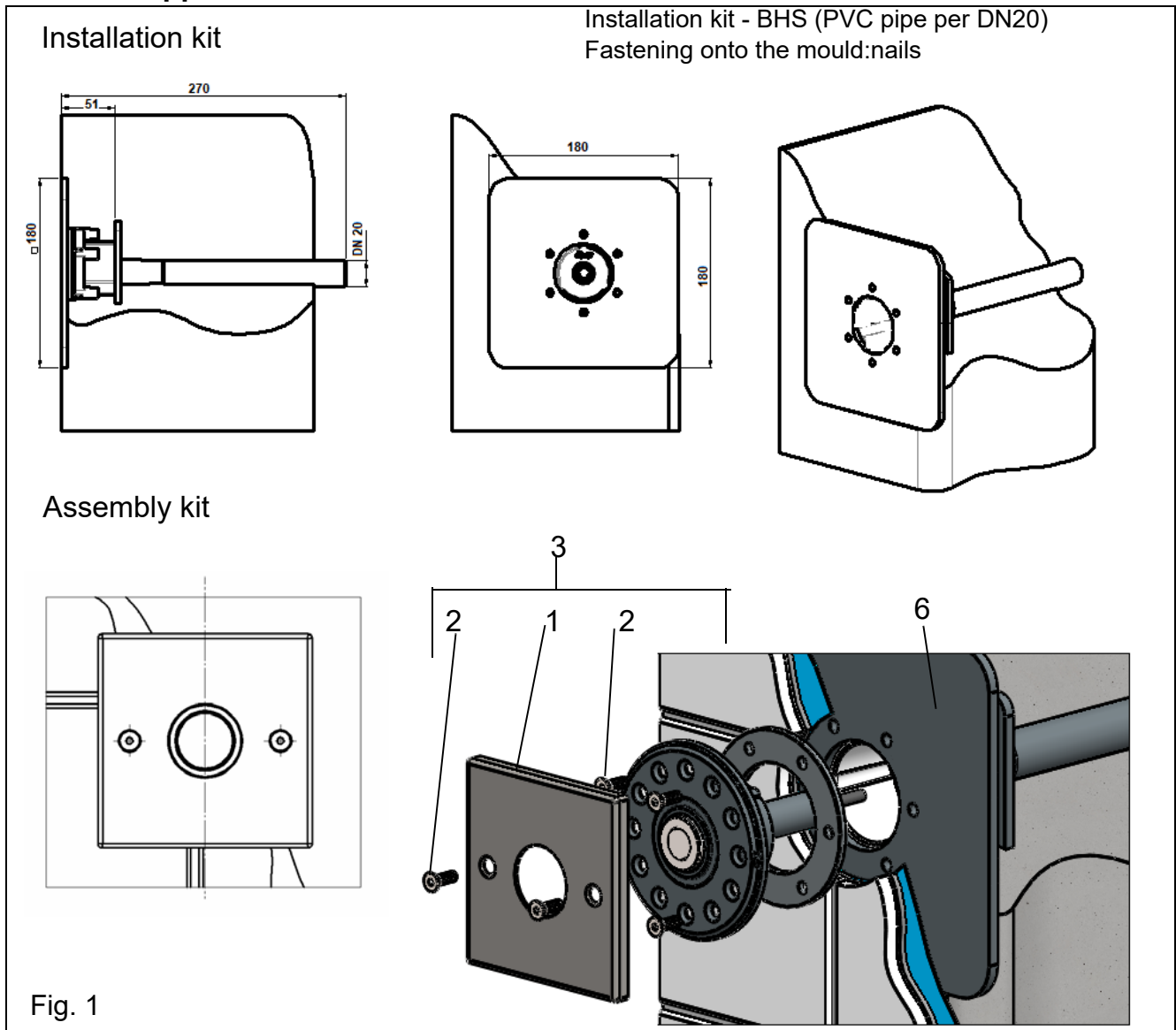


The maximum distance of the sensor button to the control box NT is 30m.  
The maximum distance of the sensor button to the converter box 3.0 is 10m.



The sensor button is designed for installation in the corresponding installation housing of the air button ( Pro ).

### 3.2 Installation process for concrete tile pools and/or pools with brush-applied sealant



Assembly kit - complete with screws (M5) in 3.7035

Maximum compensation 25 mm - beyond this dimension an extension is required.

Item	Order No.	Name	Pieces	Comment
1	60198	Screen	1	
2	11072	Counter-sunk screw	6	M5x25 DIN 7984-3.7035
3	98775	Assembly kit - BS	1	
6	94700	Installation kit - BHS	1	

### 3.3 Installation process for concrete liner pool

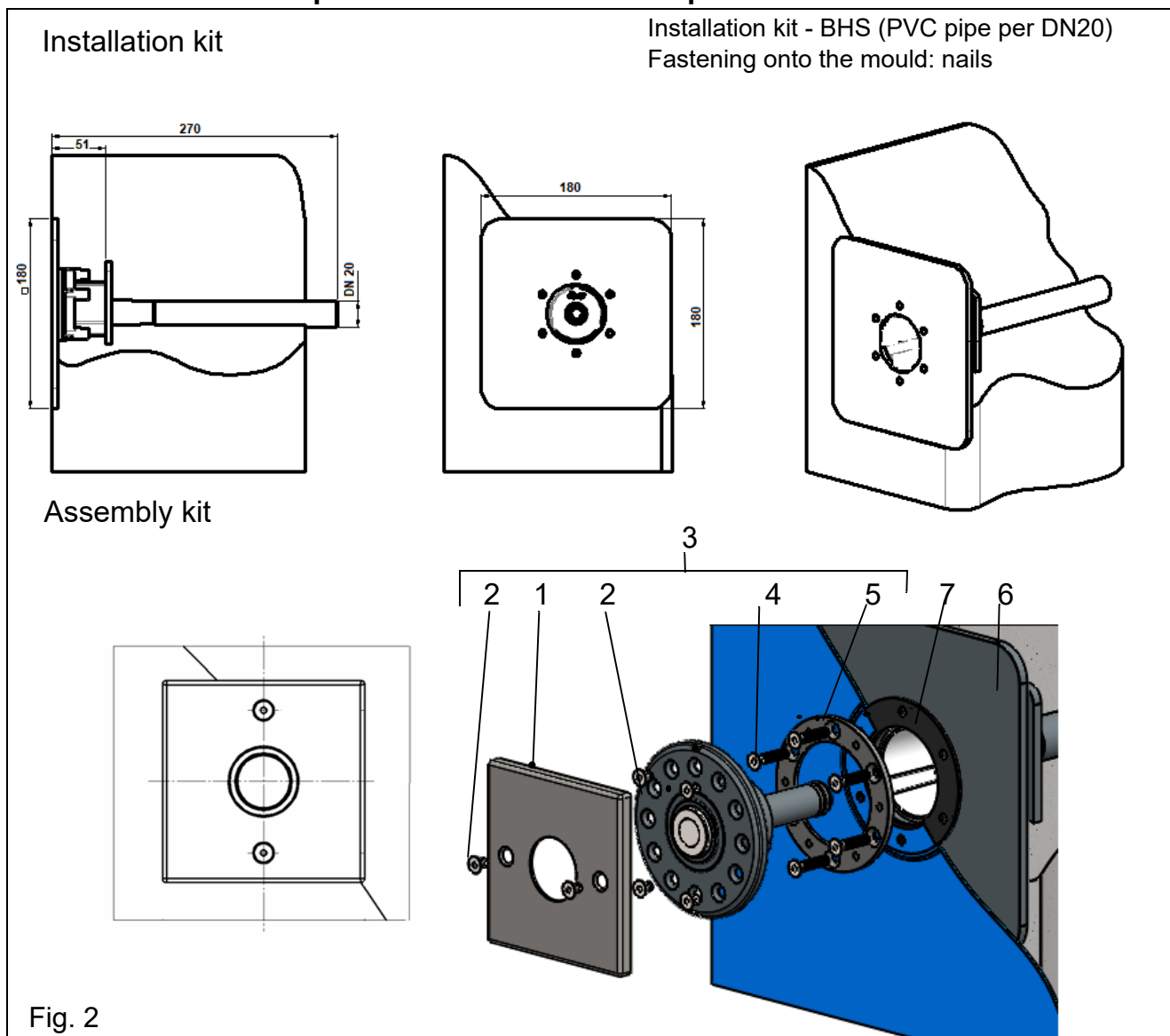


Fig. 2



Assembly kit - complete with screws (M5) and clamp gasket in 3.7035  
 Maximum compensation 25 mm - beyond this dimension an extension is required.

Item	Order No.	Name	Pieces	Comment
1	60198	Screen	1	
2	11083	Counter-sunk screw	6	M5x10 DIN7984 -3.7035
3	98776	Assembly kit - H	1	
4	11072	Counter-sunk screw	6	M5x25 DIN965 - 3.7035
5	60515	Clamp gasket	1	
6	94700	Installation kit - BHS	1	
7	60506	Clamp gasket	1	PVC soft

### 3.4 Installation process pre-fabricated pools

#### 3.4.1 Installation process for pre-fabricated pool (installation kit)

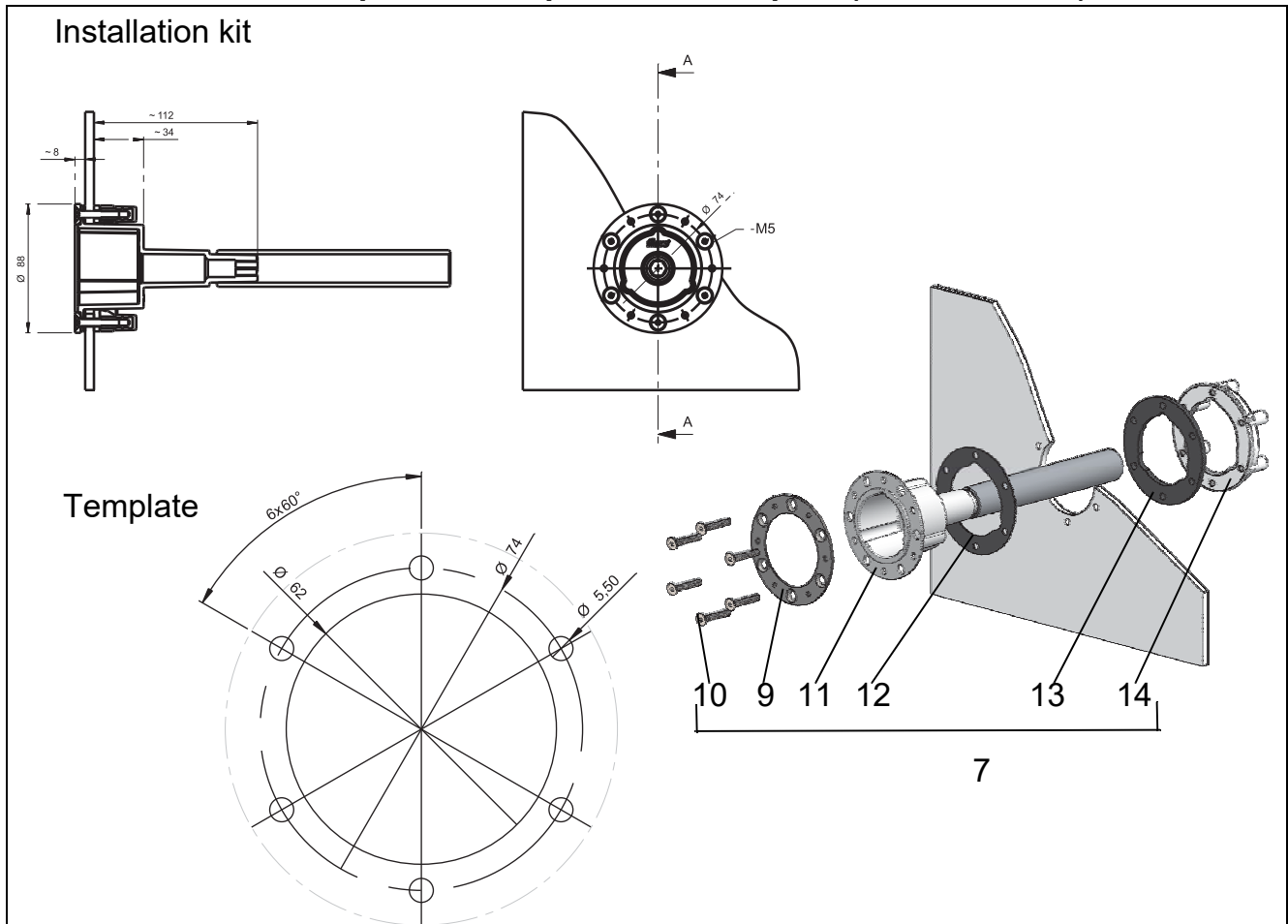


Fig. 3:

Item	Order No.	Name	Pieces	Comment
7	94701	Installation kit - A	1	
9	60515	Clamp gasket	1	
10	11072	Counter-sunk screw	6	M5x25 DIN 965-3.7035
11	60519	Installation housing - A	1	
12	60516	Clamp gasket	1	EPDM
13	60517	Clamp gasket	1	EPDM foam
14	60509	Hold ring	1	

### 3.4.2 Installation process for pre-fabricated pool (assembly kit)

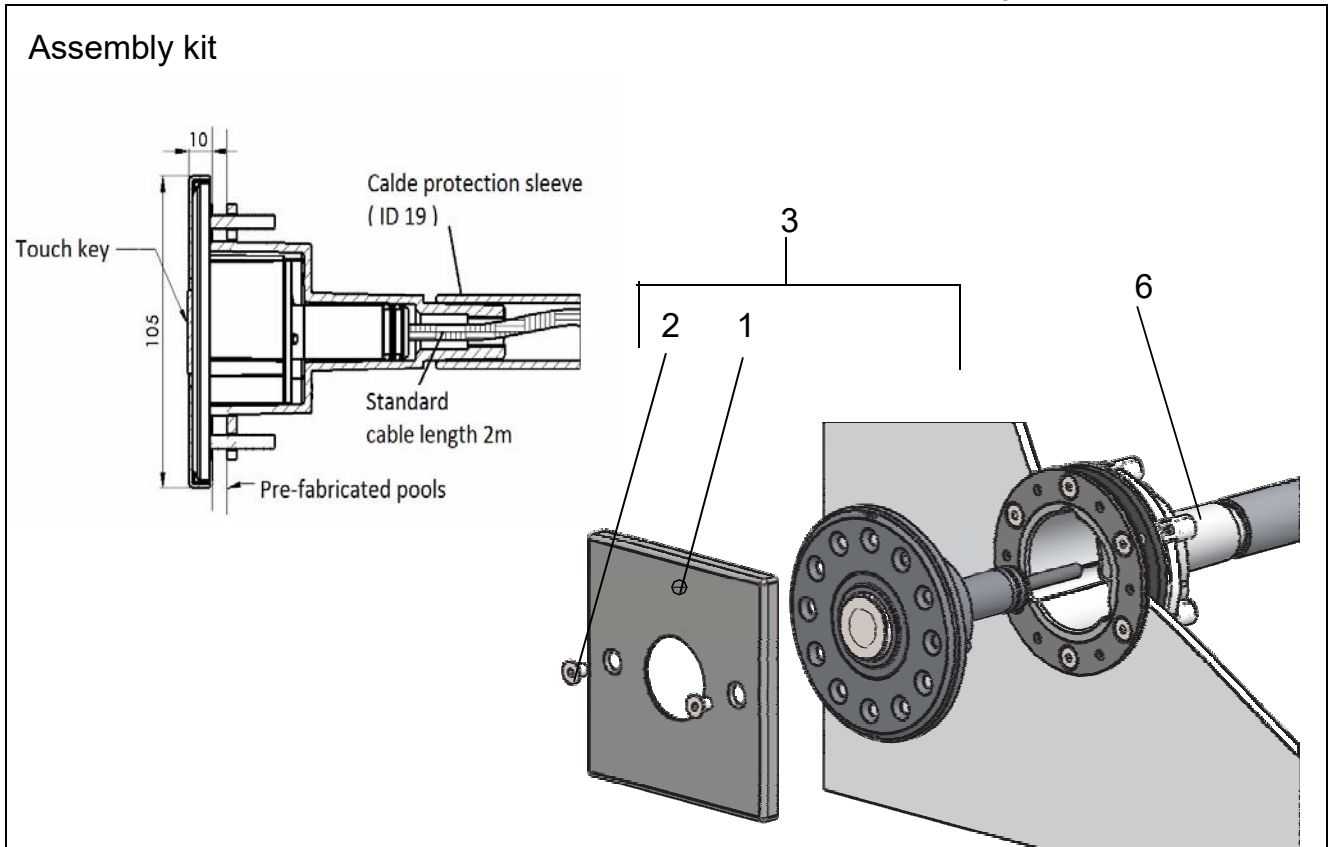


Fig. 4:

Item	Order No.	Name	Pieces	Comment
1	60198	Screen	1	
2	11083	Counter-sunk screw	6	M5X10 DIN 965 -3.7035
3	98777	Assembly kit - A	1	
6	94701	Installation kit - A	1	

### 3.5 Compensation option

**on request**

## 4 Electrical connection



**Note:**

When laying cables, safe isolation between different types of currents within an installation system must be ensured without exception.

Comply with the requirements of DIN EN 50174 and DIN VDE 0100-520 for communication wiring when laying the cables.

**Safety isolation**

For reasons of electrical safety, the sensor button must without exception be operated via "safety isolation" such as a control box item no. 61405 or directly on the NT switch box. The defined maximum line lengths must also be observed.

### 4.1 Sensor button- Connection assignment

Wire colour	Functions
White	Switching contact S1
Brown	Switching contact 24V
Grey	LED1
Yellow	LED2
Green	LED3

### 4.2 Sensor button - Technical informations

<b>Switching effect:</b>	<b>Pulse activated once</b>
Electrical functions:	normally open / NO contact
Electrical data:	I <sub>max</sub> = 200mA / U <sub>B</sub> = 24V DC

### 4.3 Connection cable

5-wire special cable

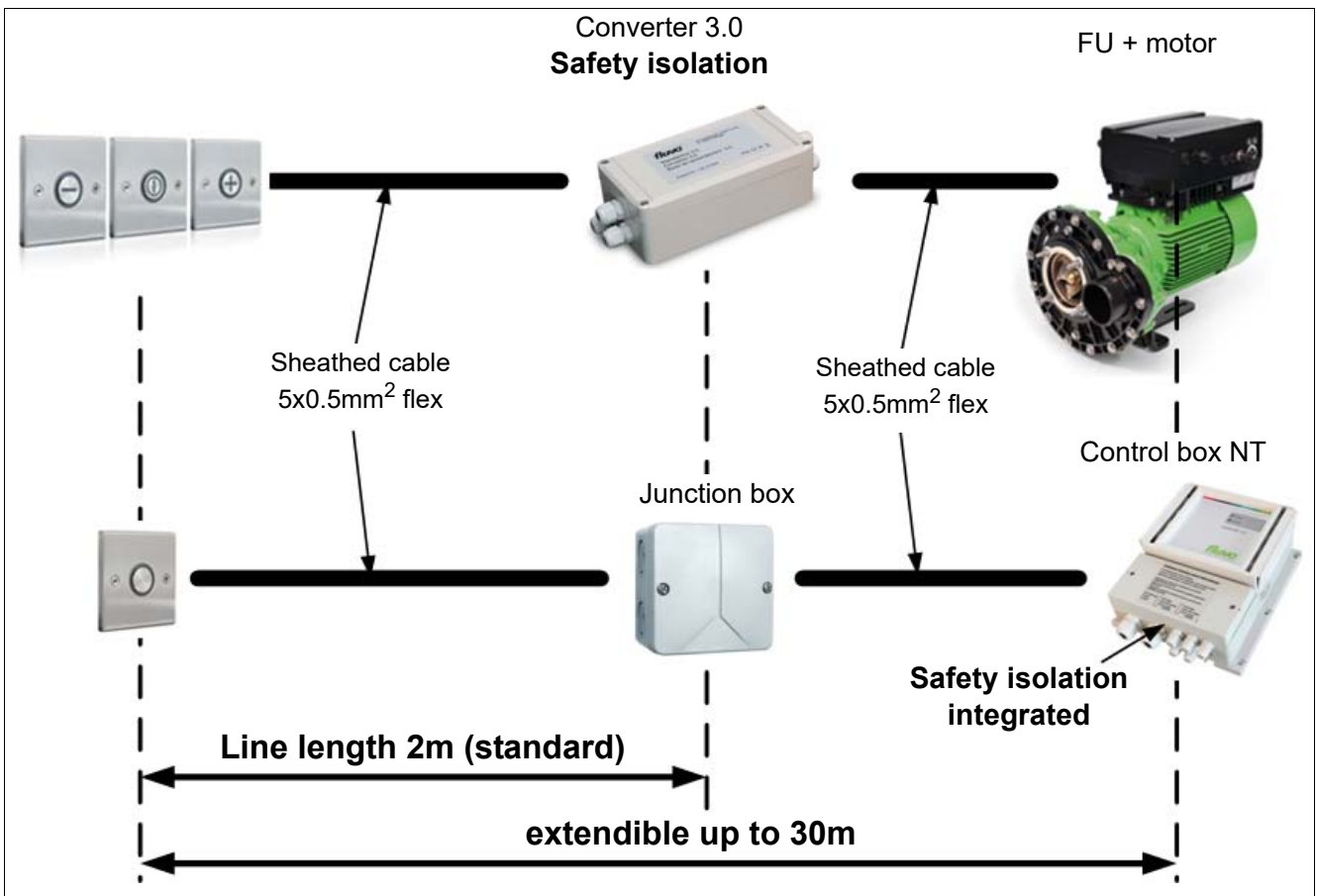
Standard cable length 2 m

Colour coded

Outer diameter 5.5 mm

Wire cross-section 0.5 mm<sup>2</sup>

#### 4.4 Installation instructions and cable length



FU - Frequency inverter, drive controller, speed-controlled pump

**Schmalenberger GmbH + Co. KG**

Strömungstechnologie

Im Schelmen 9 - 11

D-72072 Tübingen / Germany

Phone: +49 (0)7071 70 08 - 0

Fax: +49 (0)7071 70 08 - 10

Internet: [www.fluvo.de](http://www.fluvo.de)

E-mail: [info@schmalenberger.de](mailto:info@schmalenberger.de)

© 2019 Schmalenberger GmbH + Co. KG ; All Rights reserved

Manual is subject to changes

Touch key  
Version: 27138 - D