

luchs NT Spot

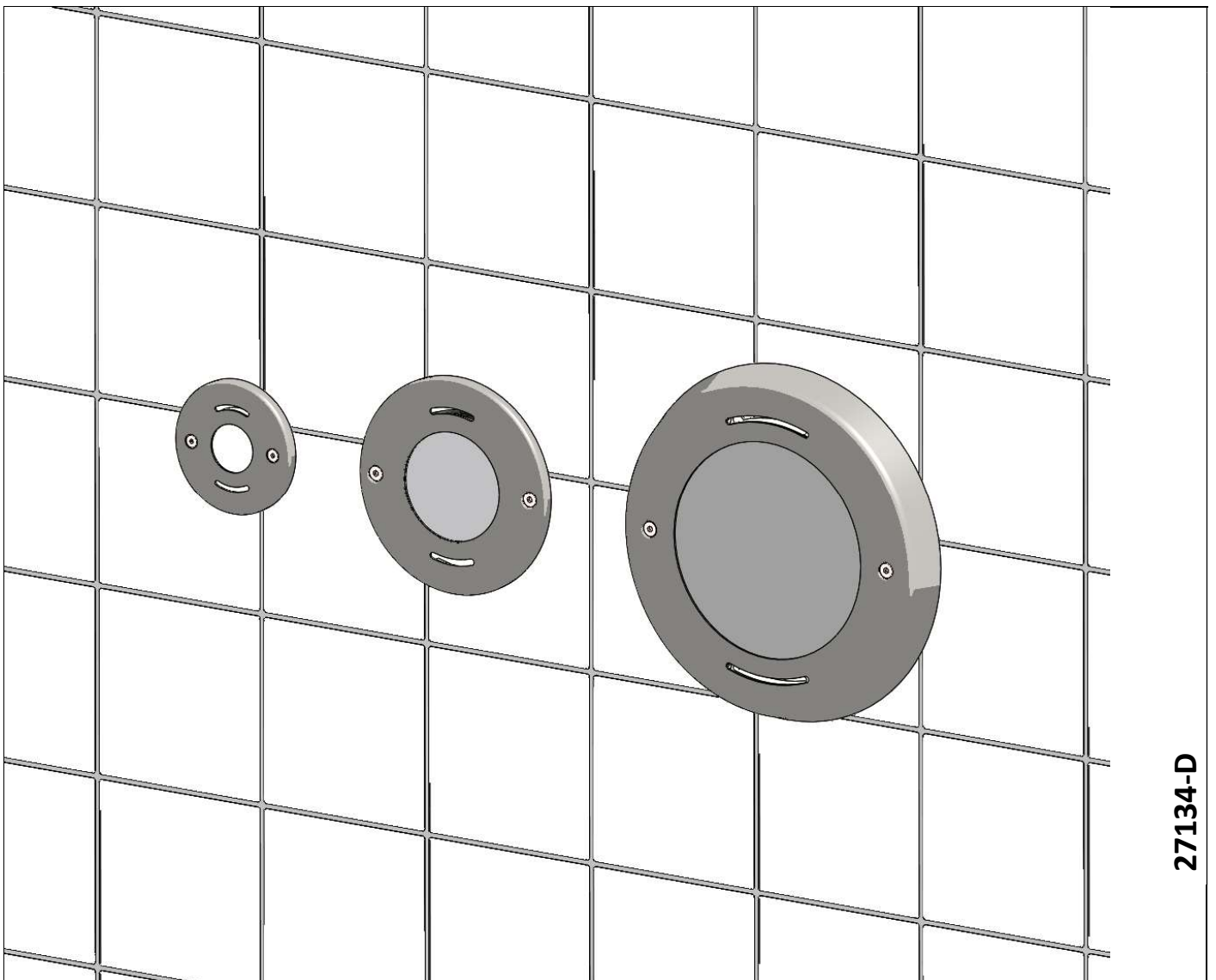
luchs NT2 LED | RGB

luchs NT56



Assembly Manual

Translation of the original




27134-D

Table of contents

1. General information.....	4
1.1. Warranty notice.....	4
1.2. Introduction.....	4
1.3. Proper use.....	4
1.4. Usage limits.....	5
1.5. Cable protection system.....	5
2. Safety Instructions	6
2.1. General information	6
2.2. Abbreviations.....	6
2.3. Marking.....	7
2.4. Safety instructions for the operator instructions.....	7
3. Dimensionsn	8
3.1. luchs NT Spot and luchs NT2 Spotlight.....	8
3.2. luchs NT56 Spotlight.....	9
4. Other applicable documents	9
5. Preparation for Installation and Assembly of luchs NT Spot.....	10
5.1. Installation instructions for concrete pool installation kit.....	10
5.2. Installation instructions for concrete pool assembly kit (tiled – with and without liquid seal)	12
5.3. Installation instructions for concrete pool with liner seal assembly kit	12
5.4. Preparation for installation of preassembled pool/template.....	13
5.5. Installation instructions for preassembled pool	14
5.6. Installation instructions for stainless steel pool.....	15
6. Installation preparation and assembly luchs NT2.....	16
6.1. Installation instructions for concrete pool (tiled – with and without liquid seal)	16
6.2. Installation instructions for concrete pool assembly kit (tiled – with and without liquid seal)	17
6.3. Installation instructions for concrete pool with liner seal	18
6.4. Installation preparation - pre-fabricated pool / Drilling template.....	20
6.5. Installation instructions for preassembled pool	21
6.6. Installation instructions for stainless steel pool.....	22
6.7. Installation instructions for retro-fitting	23
7. Installation preparation and assembly luchs NT 56.....	24
7.1. Installation instructions for concrete pool (tiled – with or without liquid seal).....	24
7.2. Installation procedure, retrofitting	24
8. Explosions drawings.....	25
8.1. Installation kit luchs NT Spot.....	25
8.2. Assembly kit luchs NT Spot.....	25
8.3. Installation kit luchs NT2	26
8.4. Assembly kit luchs NT2	26
8.5. Installation kit luchs NT56	27
8.6. Assembly kit luchs NT56	27

1. General information


	<p>For your own safety and to protect the product, please read the Operator's Manual carefully before starting with the settings and the installation!</p>
--	---

1.1. Warranty notice

Failure to comply with the information provided in this operator's manual voids all claims under warranty.

1.2. Introduction

The luchs NT Spot | luchs NT2 | luchs NT56 Spotlight is an independent lighting unit for illuminating swimming pools. The lighting unit consists of the Spotlight and corresponding control unit.

	<p>All listed diaphragms are available on request in high-gloss polished or white coated version available.</p>
---	---

1.3. Proper use

The luchs NT Spot | luchs NT2 | luchs NT56 is a stationary functional unit consisting of a Spotlight and control unit.

- The Spotlight is designed for continuous use under water (IP68 to a depth of 5m).
- The luchs NT Spot | luchs NT2 | luchs NT56 Spotlight may only be operated under water.
- The control unit is designed for DIN rail mounting in a heat-diverting control box.
- Using the device in a manner other than what is described in these operator's manual may result in damage to the product and shall void all claims under the warranty.

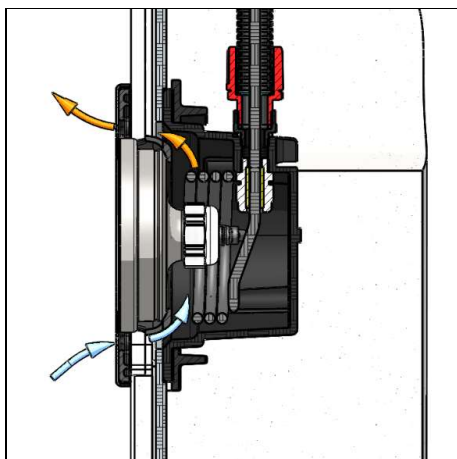



Fig. 1 Exemplary illustration

	<p>In the installed state of the spotlight it must be ensured that a free water circulation is guaranteed by the headlight housing!</p>
---	--

1.4. Usage limits



The materials are designed for chlorinated water (at swimming pool concentration) and optionally for salt water (up to 5%) (on request).



Observe maximum permissible water temperature of 36°C!


1.5. Cable protection system



Always guide the cable protection cover up above the level of water in the pool. Lay the cable protection cover with long bending radii so that the Spotlight connection cable can be drawn in with no problems.


An extension of the cable protection cover is available on request (see also 72242 Installation information for cable protection system).

2. Safety Instructions

	<p>Danger of lethal electrical current! Electrical connections must only be made by a professional electrician in accordance with VDE Regulation 0100. Observe the local requirements of the responsible electrical power provider as well as standards and safety requirements for electrical systems in swimming pools.</p>
--	--

In case of damage caused by failure to observe the information provided in these operating instructions, all claims under warranty shall be void. Also, if the devices had been opened. The manufacturer cannot accept any liability for resulting consequential damages.

Unpack the luchs NT Spot | luchs NT2 | luchs NT56 Spotlight and control unit. Before using the device, make certain there is no damage caused by transport.

	<p>The luchs NT Spot luchs NT2 luchs NT56 Spotlight must only be operated with the control unit designed for it by the manufacturer.</p>
---	---


2.1. General information


- Use the system only when it is in flawless condition technically and according to its intended purpose. Be conscious of safety and dangers and observe all the instructions of this Operator's Manual!
- Eliminate malfunctions without delay.
- Before making repairs to the system, disconnect it from its electrical power source and prevent it from being turned on again.
- Repairs of any nature must only be made by qualified professionals.
- The device must only be used when it is in flawless technical condition.
- If serious operating problems occur, disconnect the system from the electrical power source.
- Check the device and the electrical power line at regular intervals for damage.
- Attention: The luchs NT control unit is still capable of conducting dangerous voltages for a short time after it is turned off.

2.2. Abbreviations

- A Pre-fabricated pool
- B Concrete-tile pool – without liquid sealing (string foil)
- E Stainless steel pool
- H Concrete-liner pool
- S Concrete with brushed applied sealant pool + optional tiles
- W Wooden-liner pool or similar (with additional film sealing)
- N Retrofitting

2.3. Marking


	<p>Caution! Risk of injury! / Attention! Risk of damage! This symbol warns of hazards due to mechanical effects and of actions that will damage the product.</p>
---	---

	<p>Caution! Danger of death! This symbol warns you of dangers due to electrical current.</p>
---	---

	<p>Information</p>
---	---------------------------

	<p>Important note!</p>
---	-------------------------------

2.4. Safety instructions for the operator / safety instructions

	<p>Please ensure that the users have read and understood the manual before operating the system. Not the users, but the owners (operators) are responsible for the safety.</p>
---	---

The operator must ensure that:

- The instruction manual is always readily available to the users,
- The instructions in the manual are followed,
- The system is immediately stopped should abnormal voltages, temperatures, noises, vibrations, leakages or other faults occur.

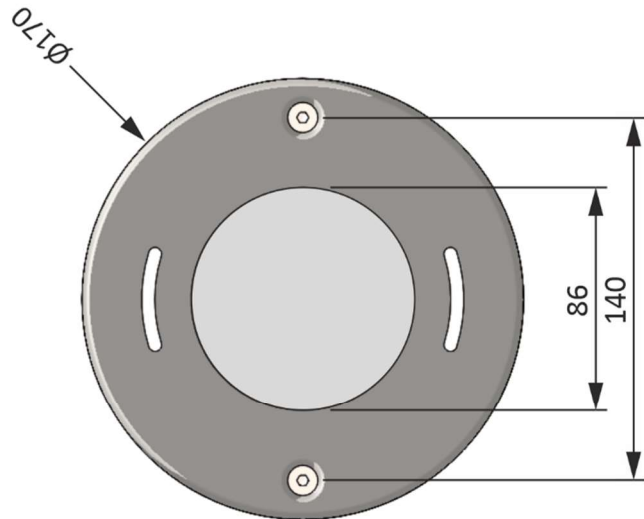
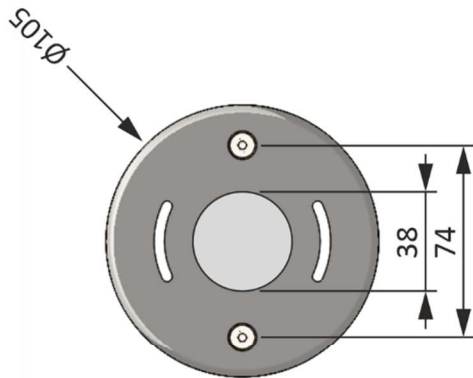
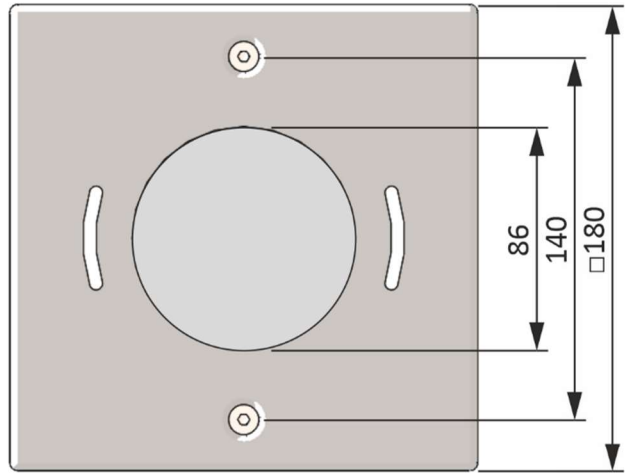
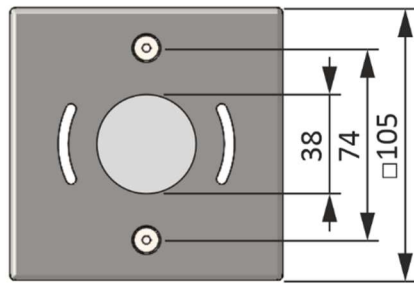
All persons involved in setting up, commissioning, operating, maintaining, and repairing this device must:

- be appropriately qualified
- meticulously observe the operator's manual
- consider the operator's manual to be part of the product
- keep the operator's manual in a safe place throughout the service life of the product
- forward the operator's manual to each successive owner or user of the product
- ensure that all additions that are received are inserted into the operator's manual
- observe all legal requirements

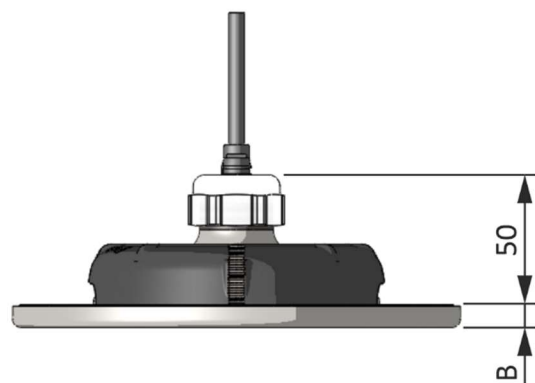
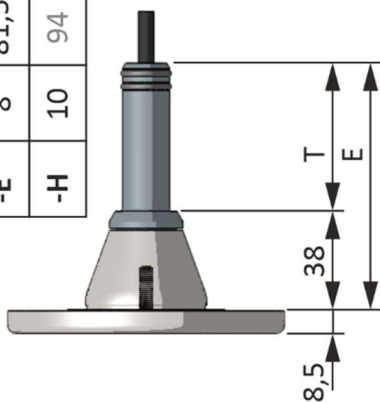
3. Dimensions

All dimensions in mm.

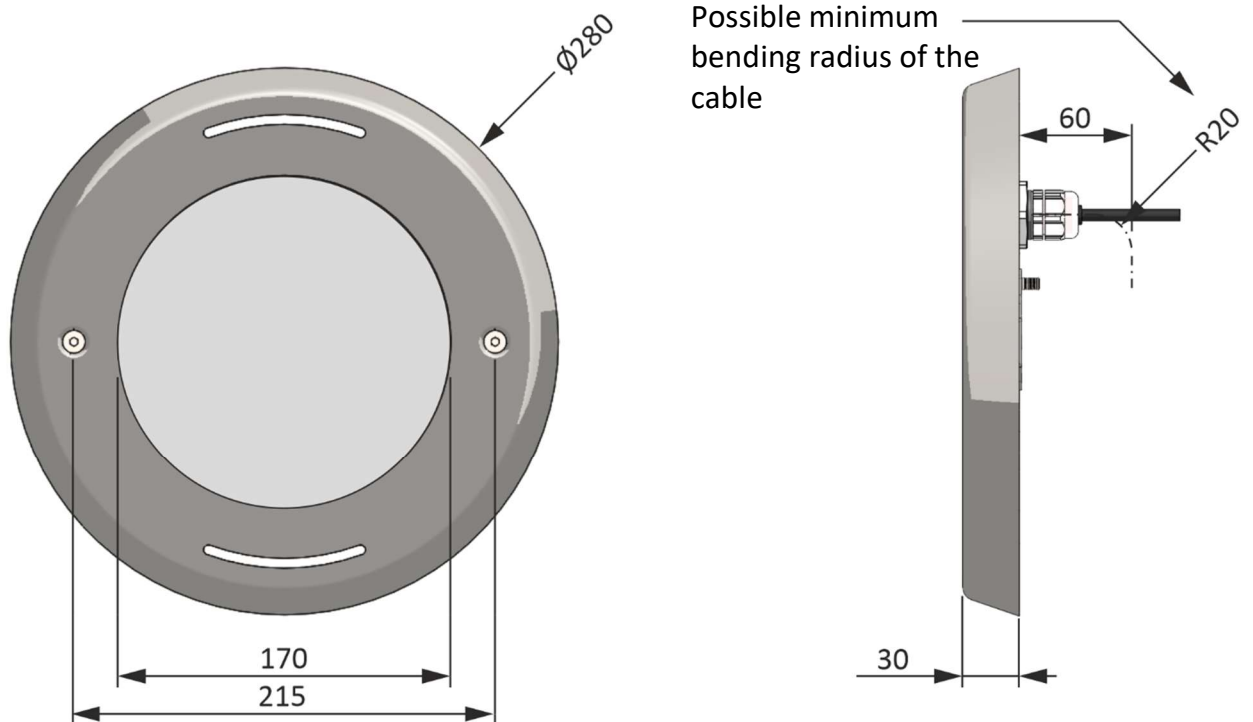
3.1. luchs NT Spot and luchs NT2 Spotlight




	B	E	T
-A	10	79	41
-BS	8	94	56
-E	8	81,5	.
-H	10	94	56



3.2. Iuchs NT56 Spotlight



4. Other applicable documents

	<p>In addition, the notes and information in the operator's manual 27142 – Iuchs NT-LED/RGB apply</p>
---	---

- 27136 Installation templates for preassembled pool
- 27253 Information about stainless steel
- 72242 Installation information cable protection system

5. Preparation for Installation and Assembly of luchs NT Spot

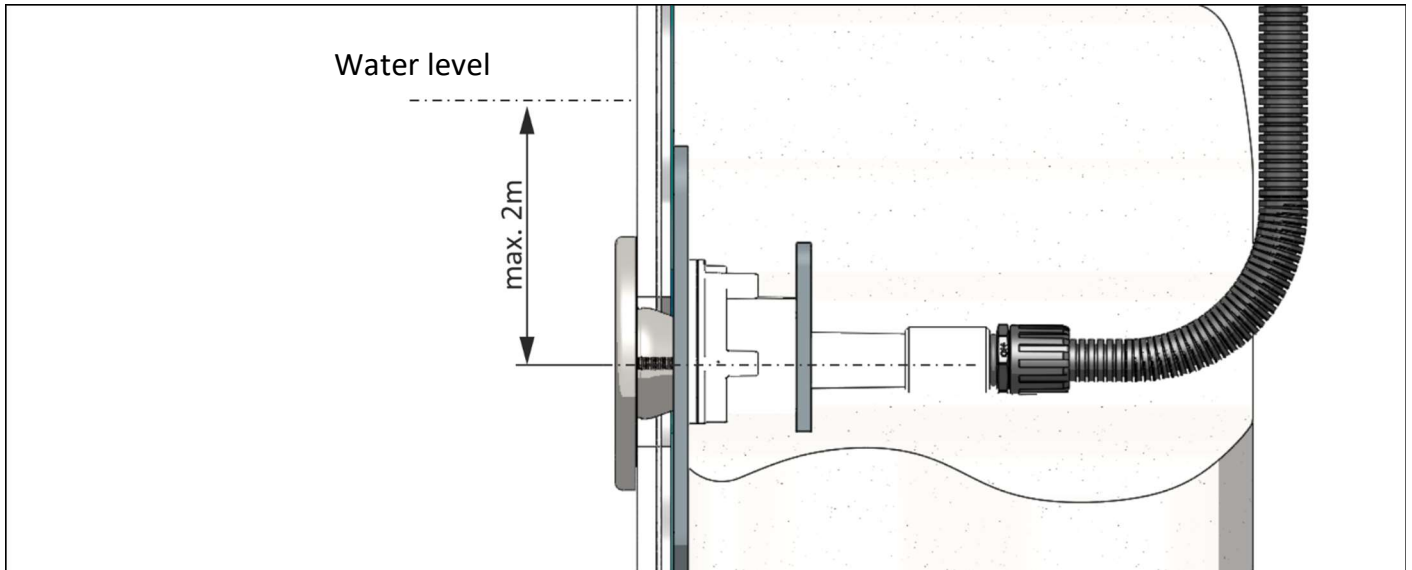



Fig. 2 Maximum permissible installation depth – please observe!

5.1. Installation instructions for concrete pool installation kit

	<p>Attention! Make certain before concrete encasing that the installation kit is horizontal, assembled to correct dimensions, and secured from moving (on the pool wall or form wall). It will not be possible to adjust it later.</p>
--	---

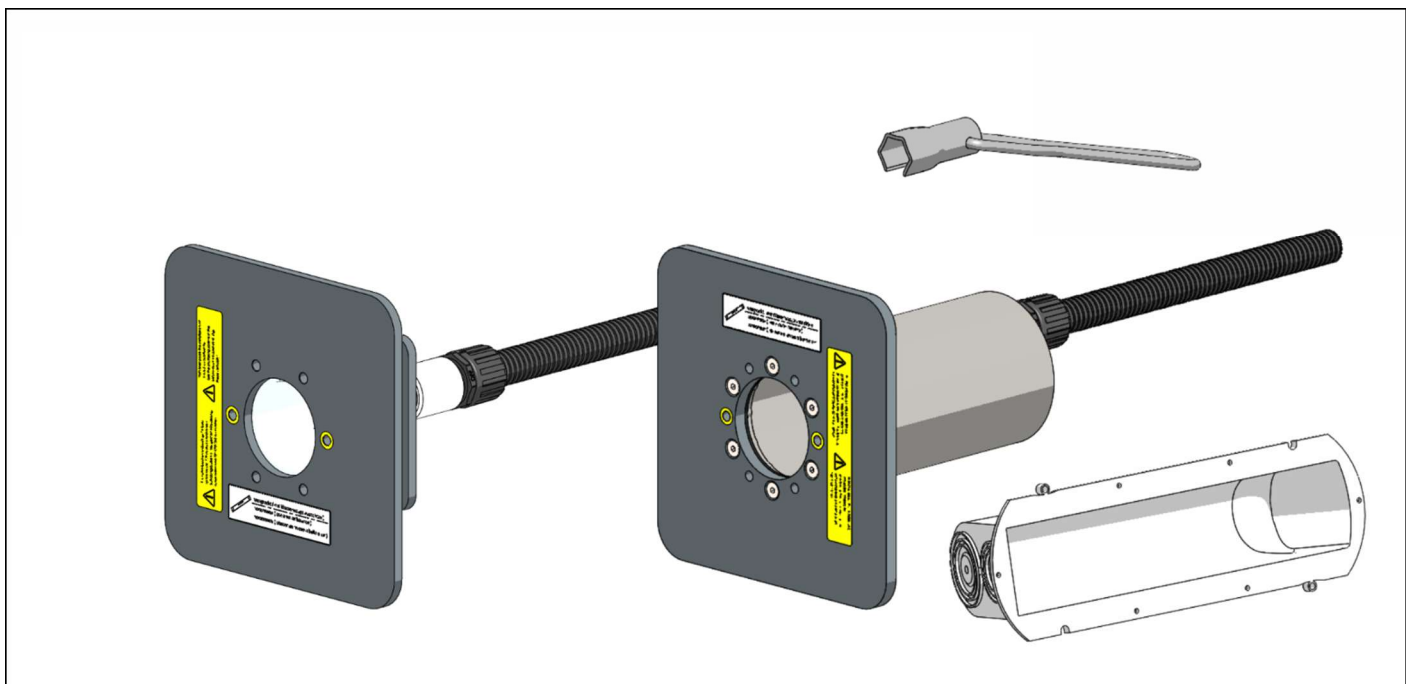


Fig. 3 Delivery condition: left - standard model; right - version with stainless steel installation housing

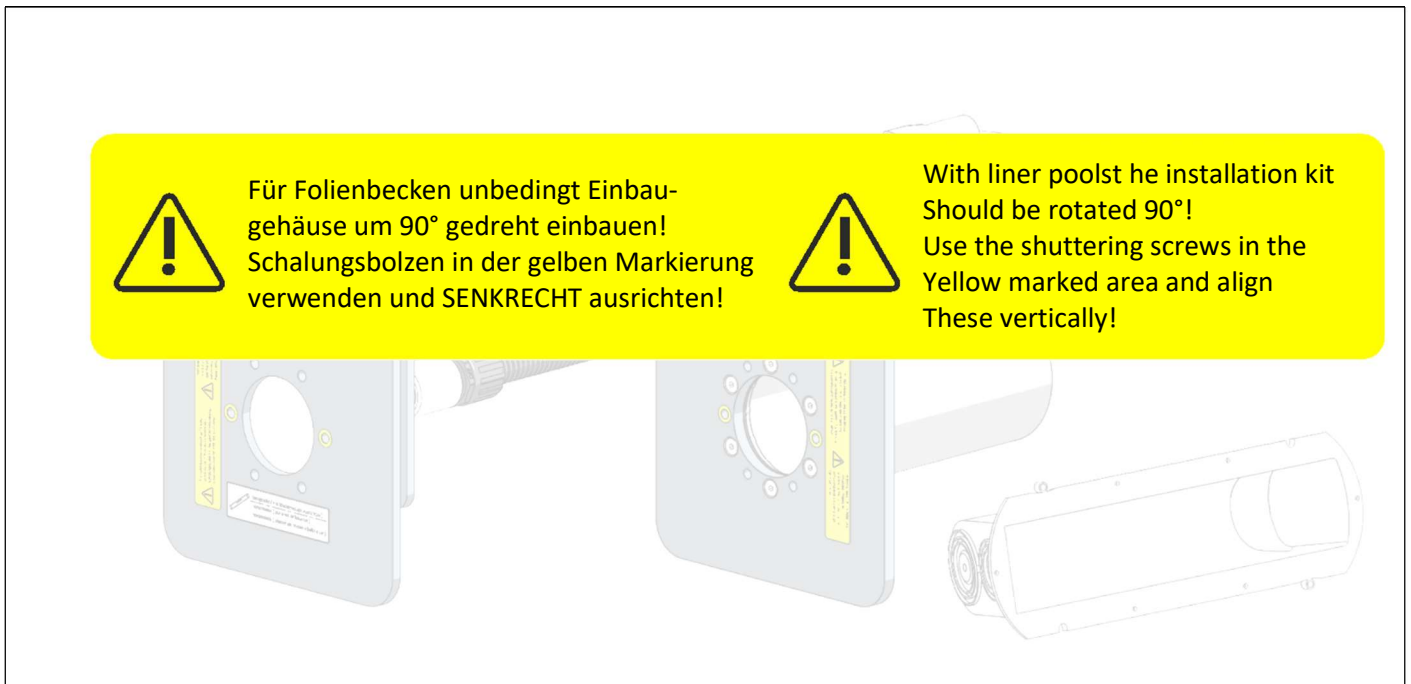


Fig. 4 Information on installation situation of concrete pool with liner seal

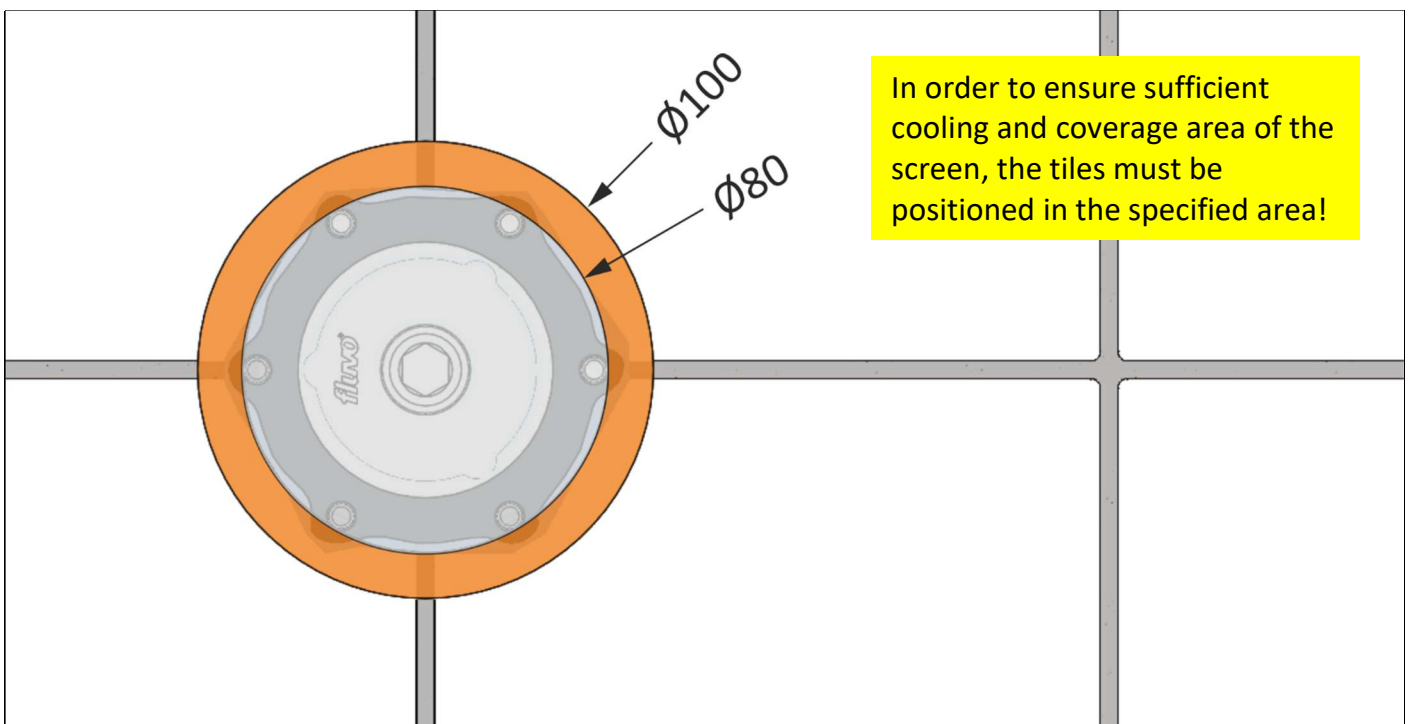


Fig. 5 Information on tile area [minimum | maximum]

5.2. Installation instructions for concrete pool assembly kit (tiled – with and without liquid seal)

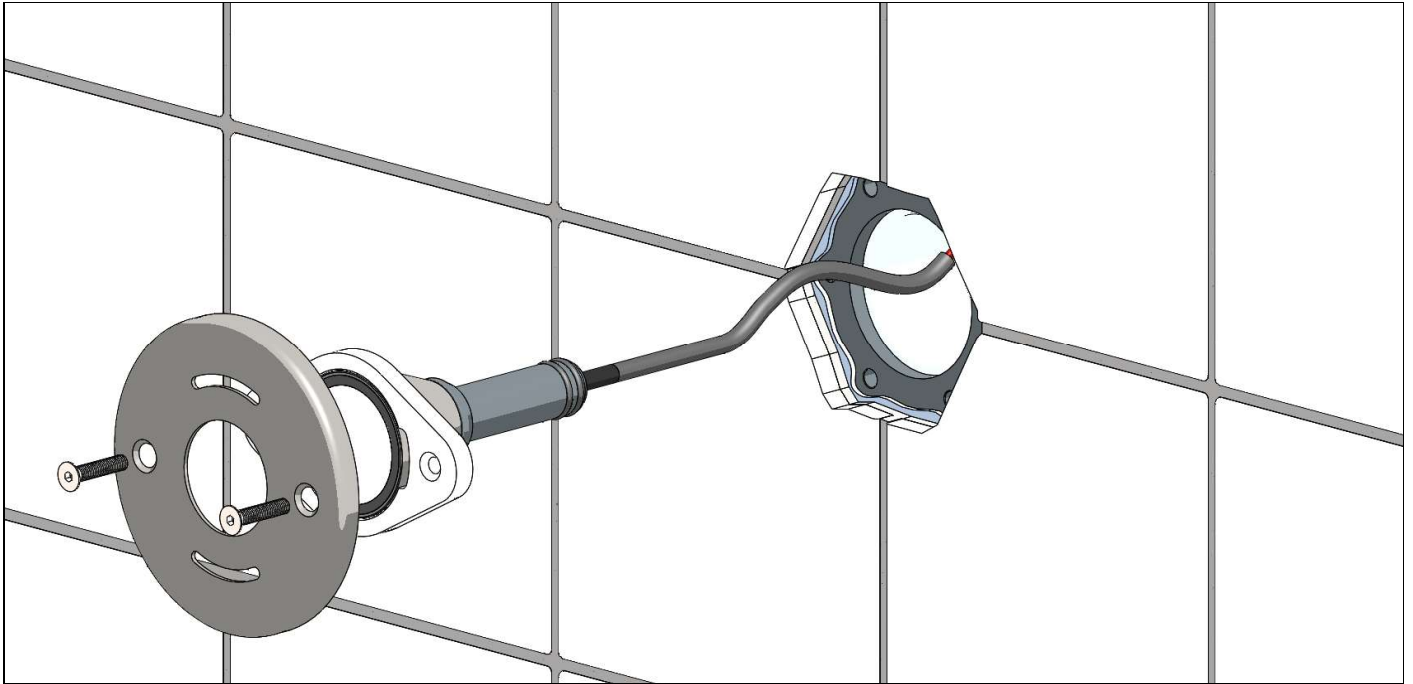


Fig. 6 Concrete pool assembly kit (tiled – with and without liquid seal)

5.3. Installation instructions for concrete pool with liner seal assembly kit

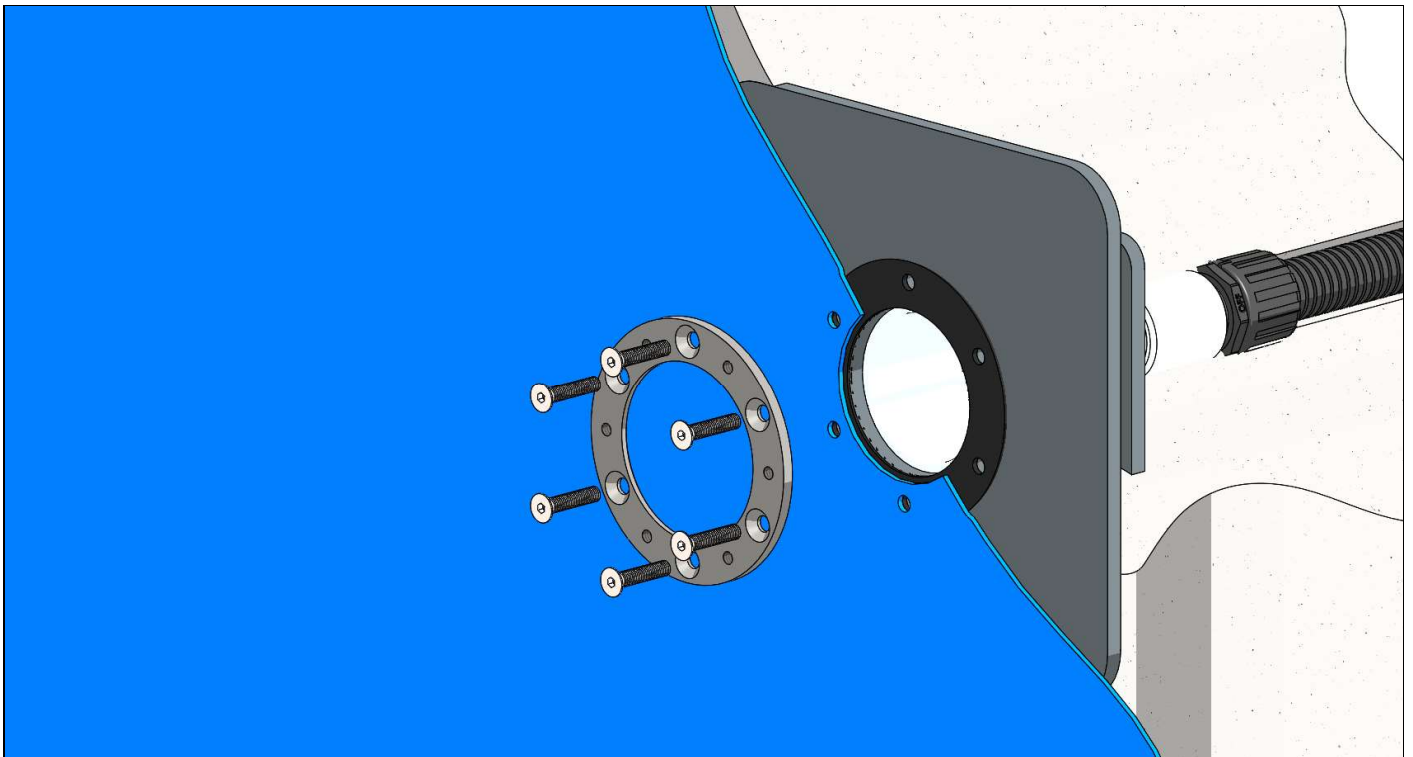


Fig. 7 Mounting the clamp ring – make sure that the clamp gasket is placed under the liner!

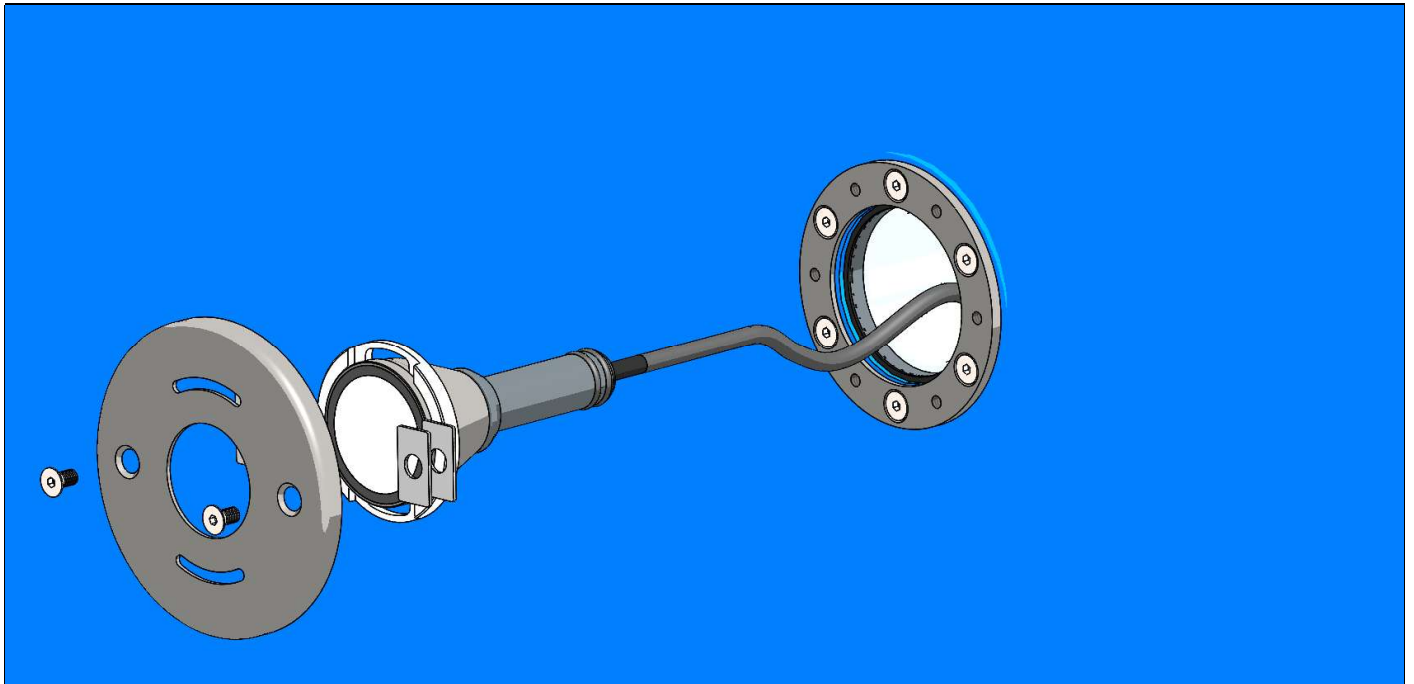


Fig. 8 Concrete pool with liner seal assembly kit

5.4. Preparation for installation of preassembled pool/template

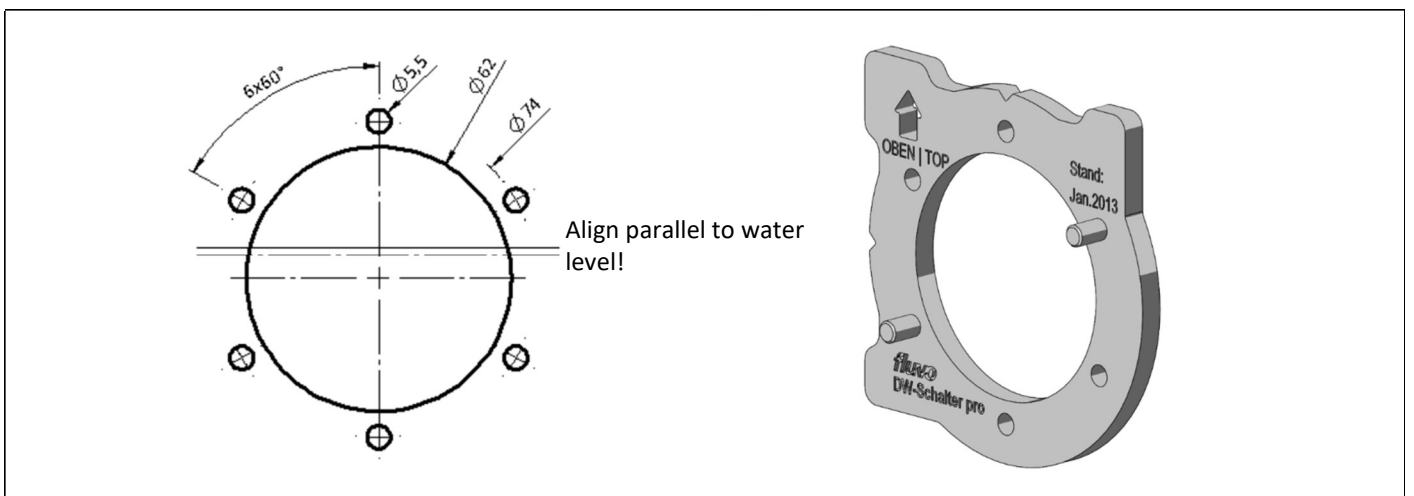


Fig. 9 Pool cut-out and template



Attention!

Ensure a horizontal and dimensionally correct installation. Subsequent adjustment of the assembly kit is no longer possible.

5.5. Installation instructions for preassembled pool

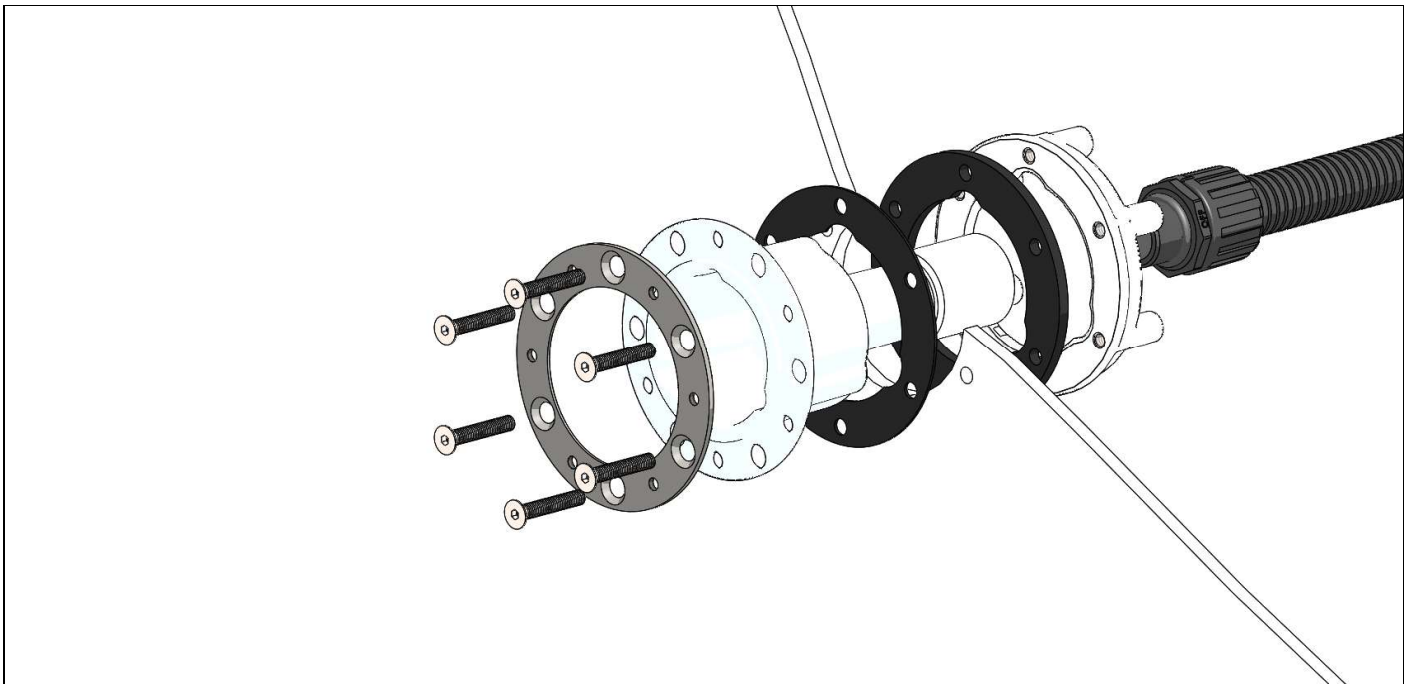


Fig. 10 Installation housing of preassembled pool – installation sequence

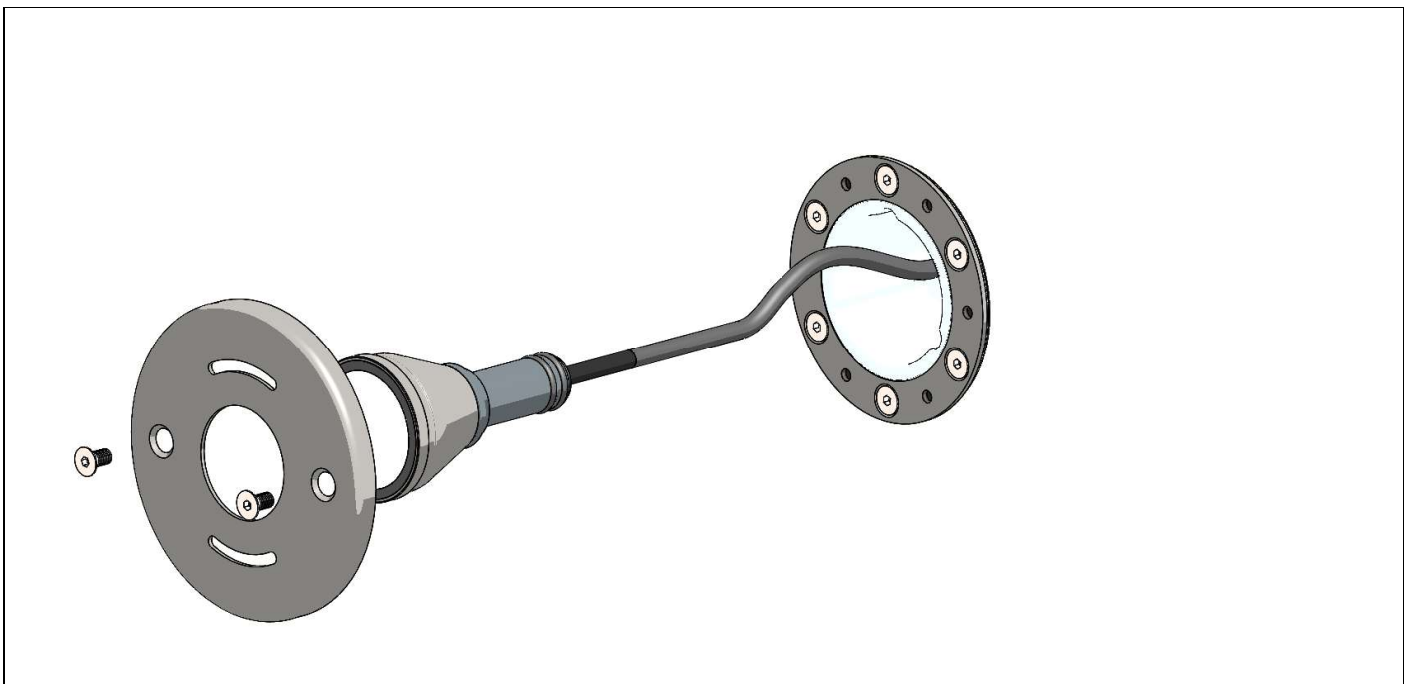


Fig. 11 Preassembled pool assembly kit (example: standard model – round)

5.6. Installation instructions for stainless steel pool



Attention!

Ensure a horizontal and dimensionally correct installation. Subsequent adjustment of the assembly kit is no longer possible.

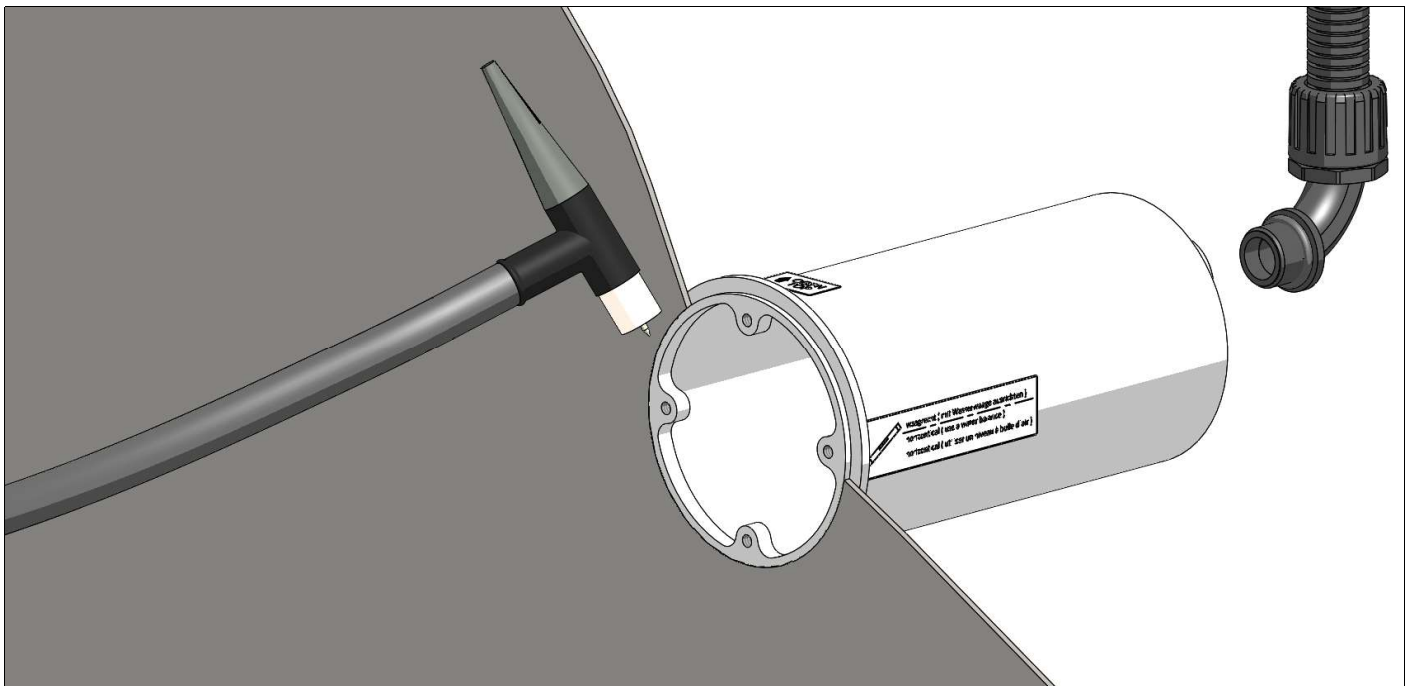


Fig. 12 Installation housing of stainless steel pool – weld on flush with the pool (then fit the cable protection system tightly)

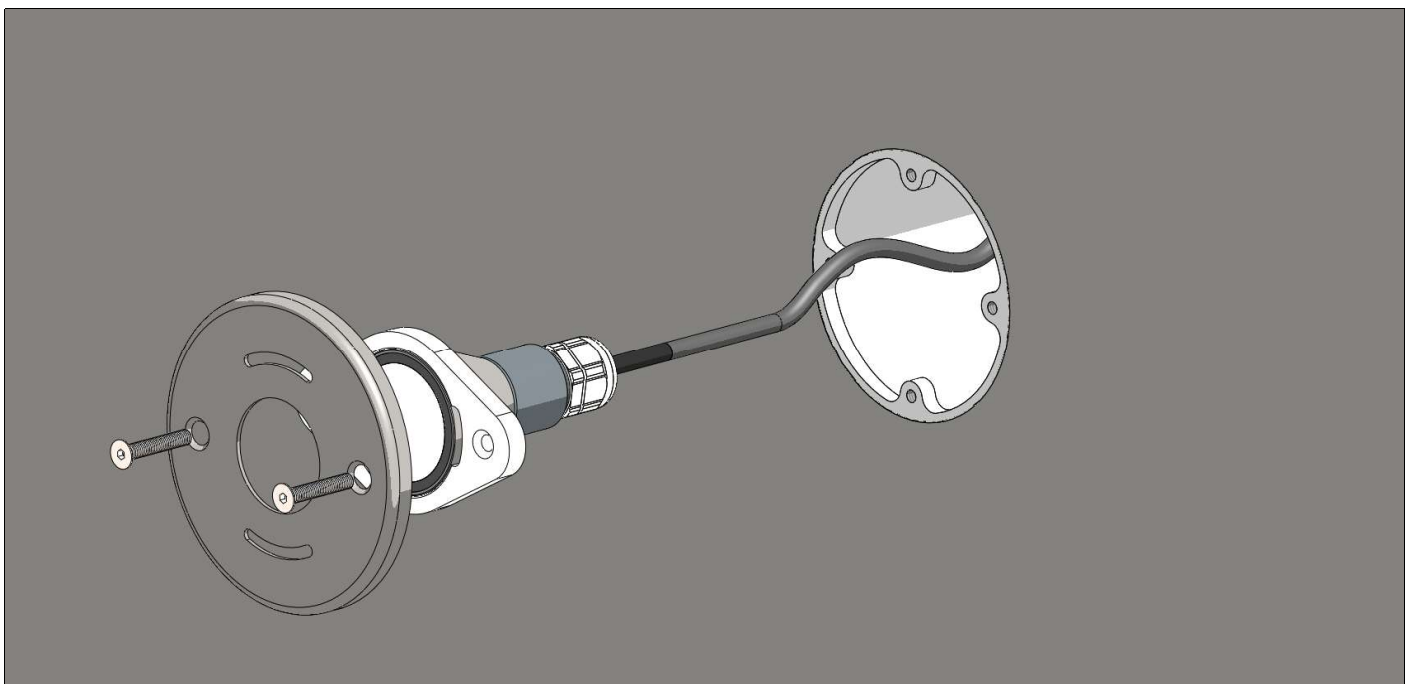


Fig. 13 Stainless steel pool assembly kit (example: standard model – round)

6. Installation preparation and assembly luchs NT2

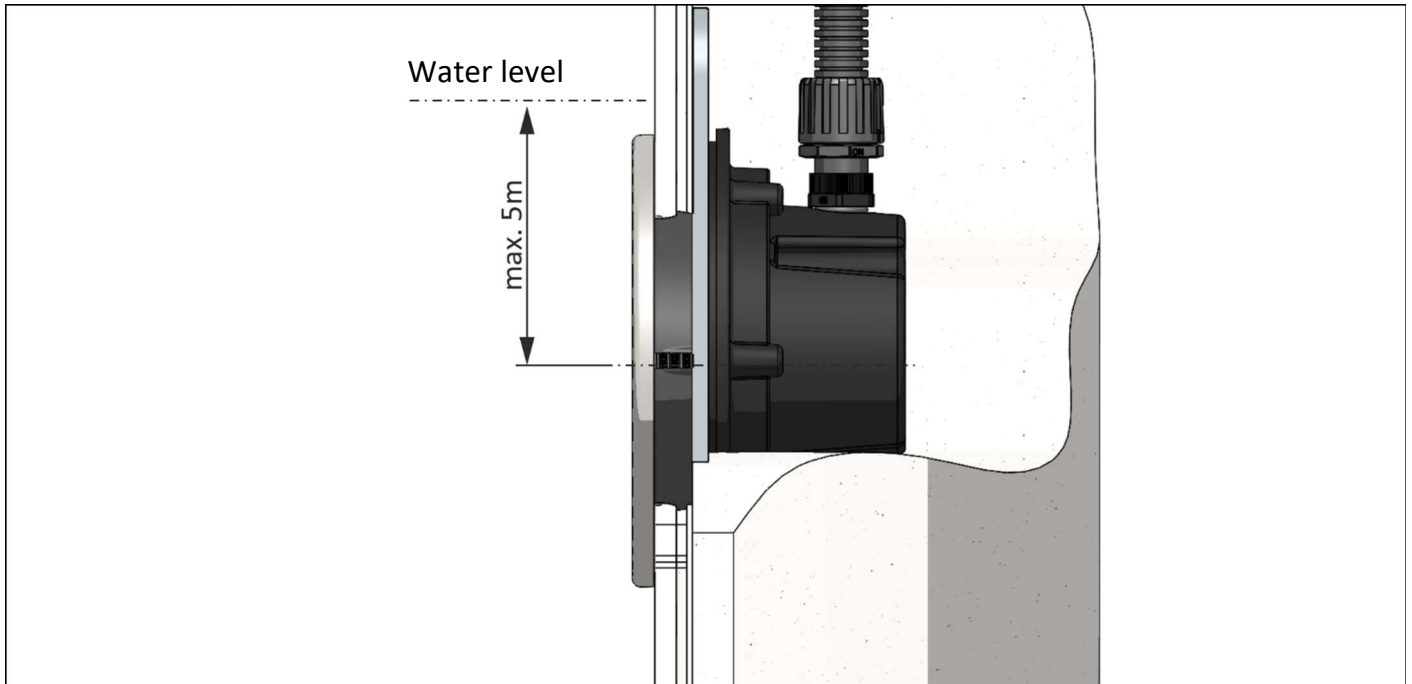



Fig. 14 Observe maximum permissible installation depth!

	<p>Attention!</p> <p>Always guide the cable protection cover up above the level of water in the pool. Lay the cable protection cover with long bending radii so that the Spotlight connection cable can be drawn in with no problems.</p>
--	--

6.1. Installation instructions for concrete pool (tiled – with and without liquid seal)

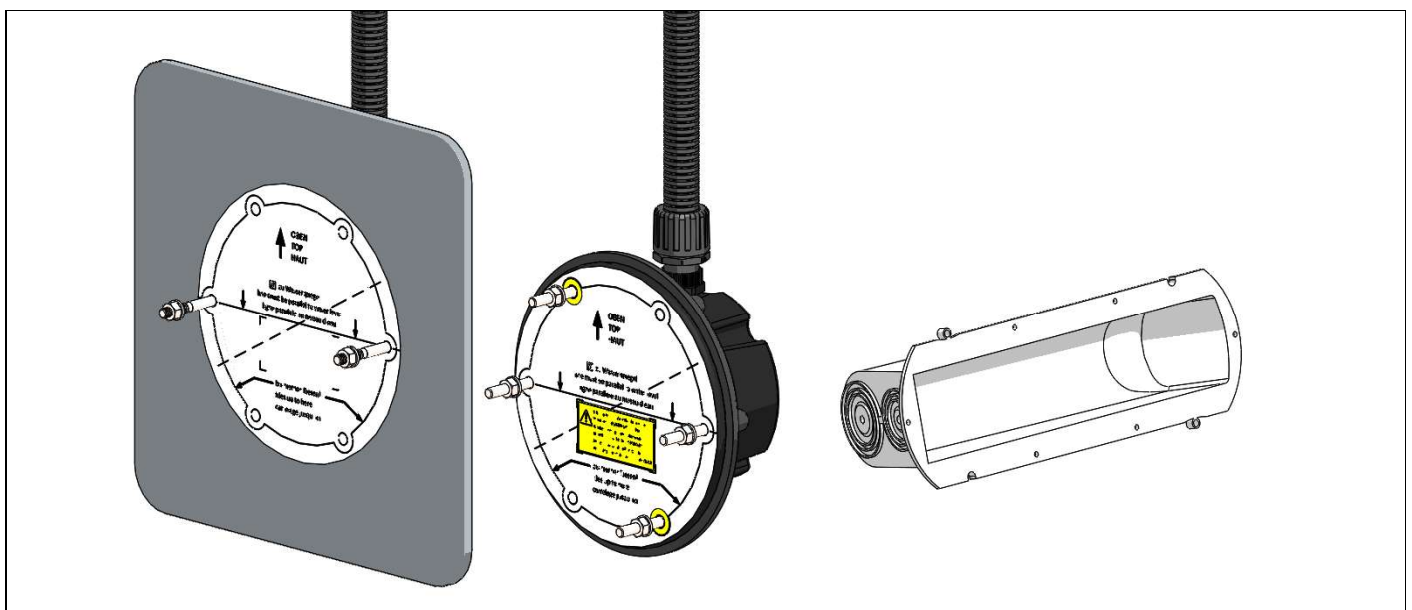


Fig. 15 Delivery status -S | -B (mould protector/wedge)

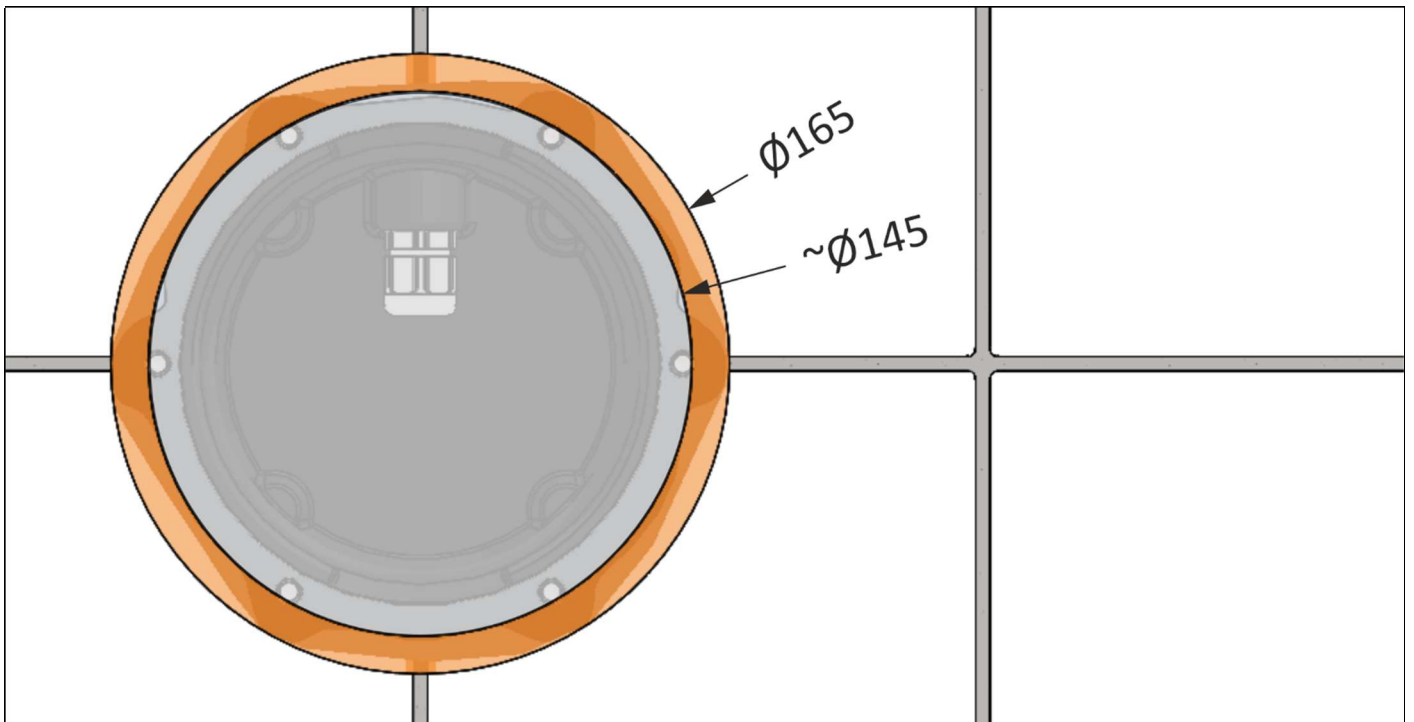


Fig. 16 Information on tile area [minimum | maximum] – example: tiled concrete pool with liquid seal

6.2. Installation instructions for concrete pool assembly kit (tiled – with and without liquid seal)

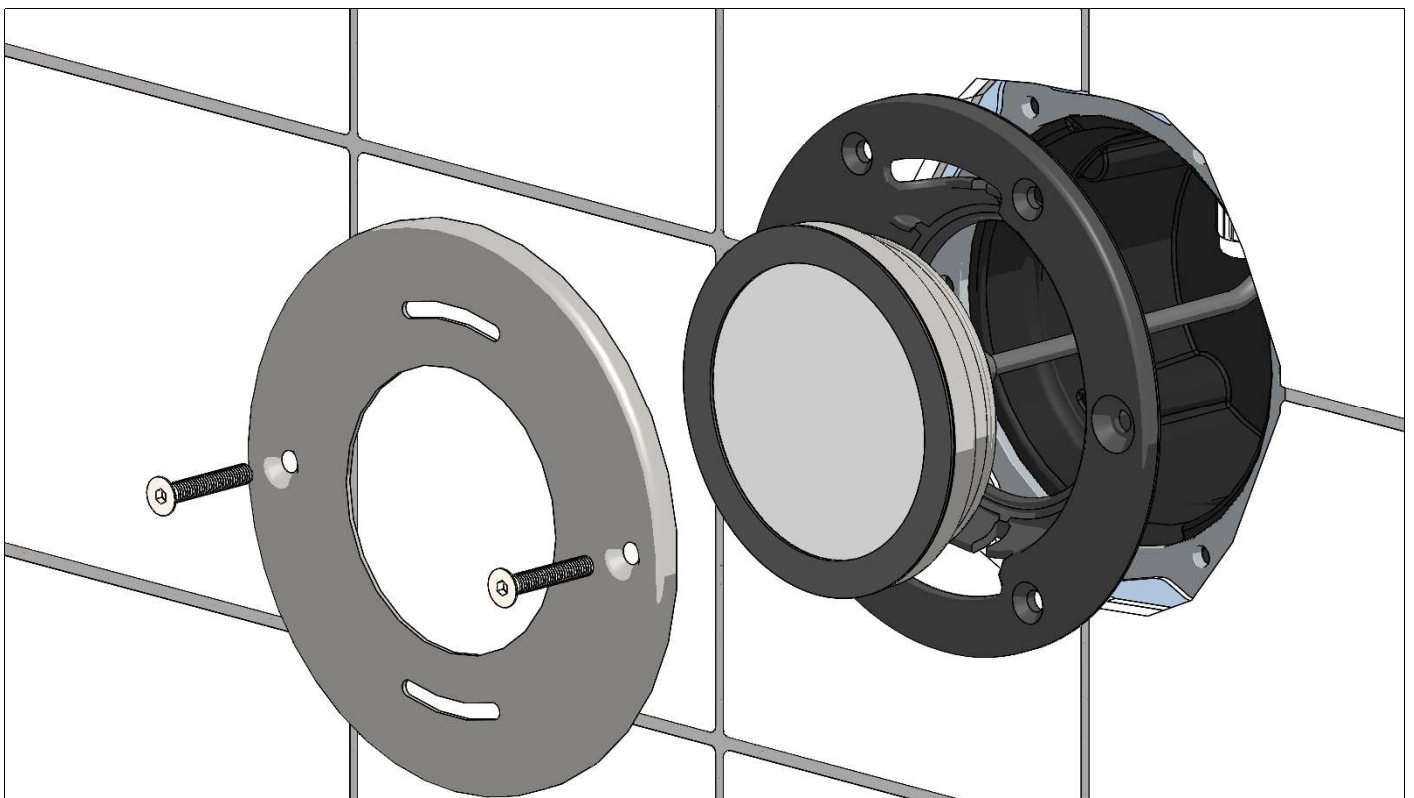


Fig. 17 Concrete pool assembly kit (tiled – with and without liquid seal)

6.3. Installation instructions for concrete pool with liner seal

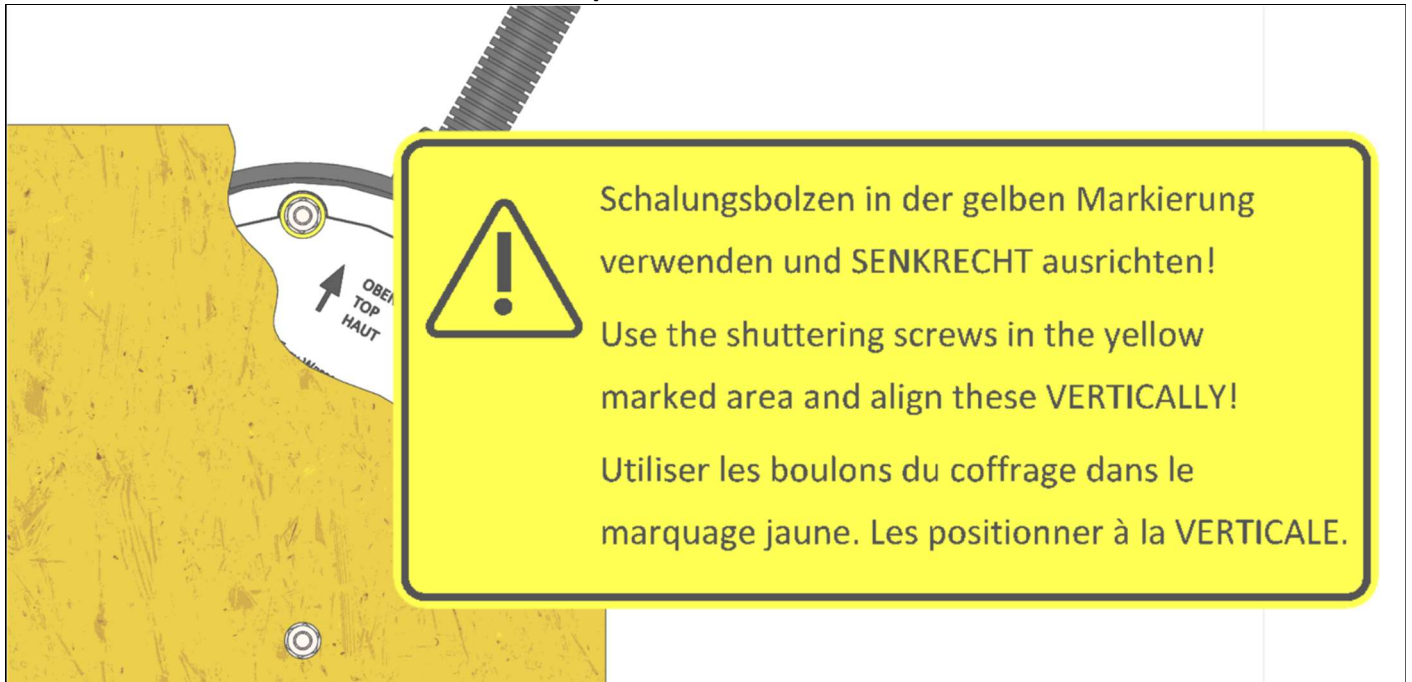


Fig. 18 Information on installation situation of concrete pools with liner seal

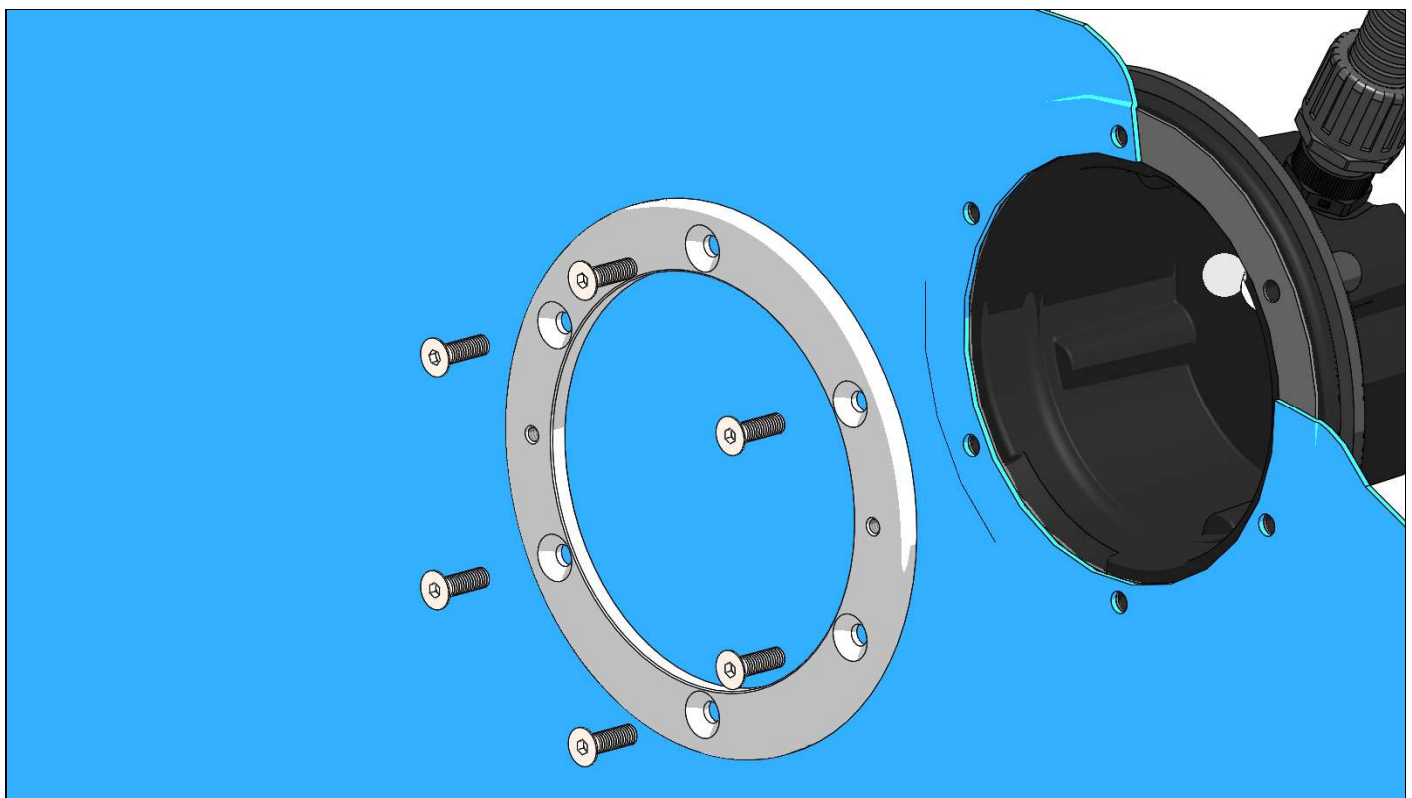


Fig. 19 Mounting the clamp ring

	<p>Attention! Make sure that the clamp gasket is placed under the liner!</p>
--	---

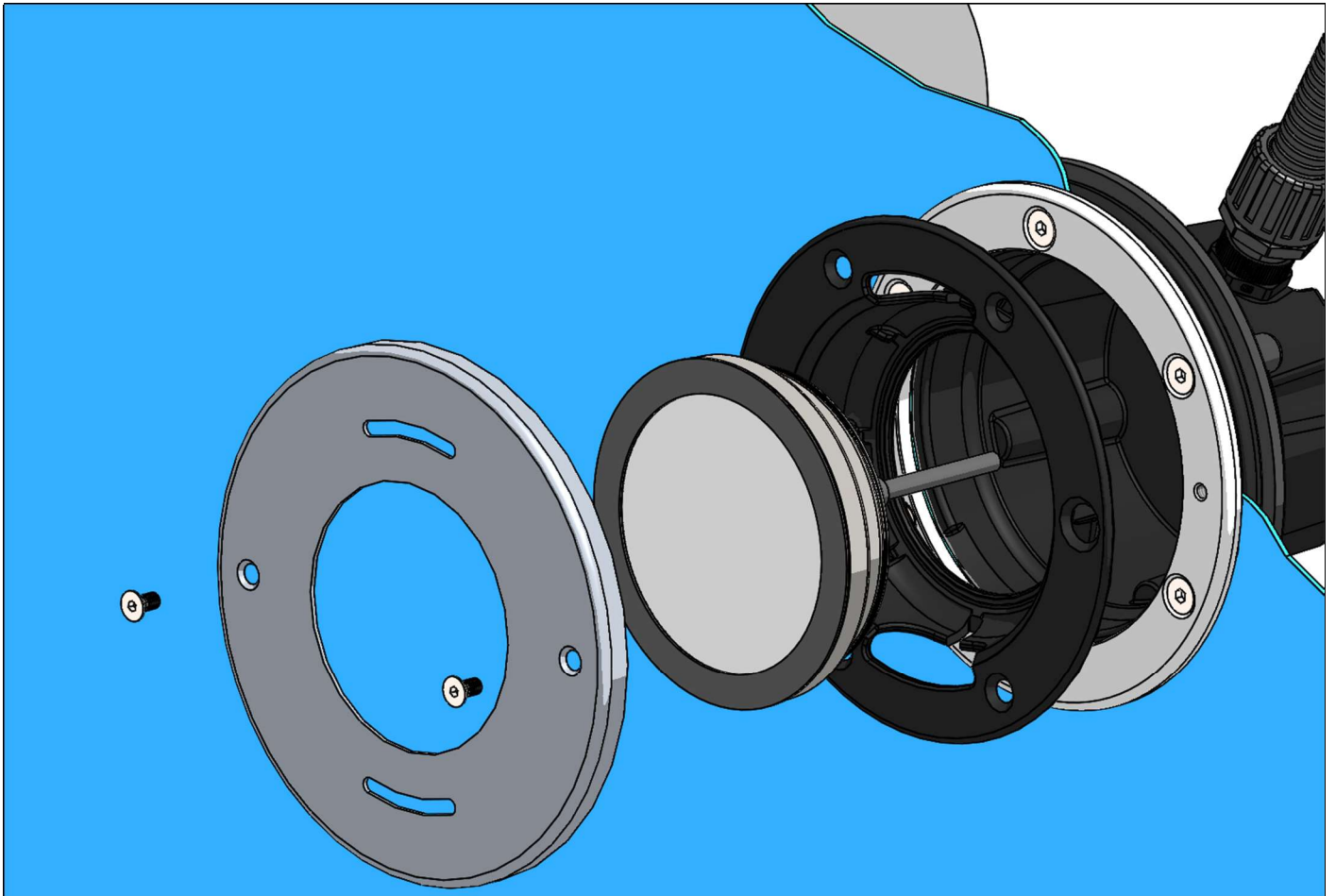


Fig. 20 Assembly kit for concrete pool with liner seal

6.4. Installation preparation - pre-fabricated pool / Drilling template

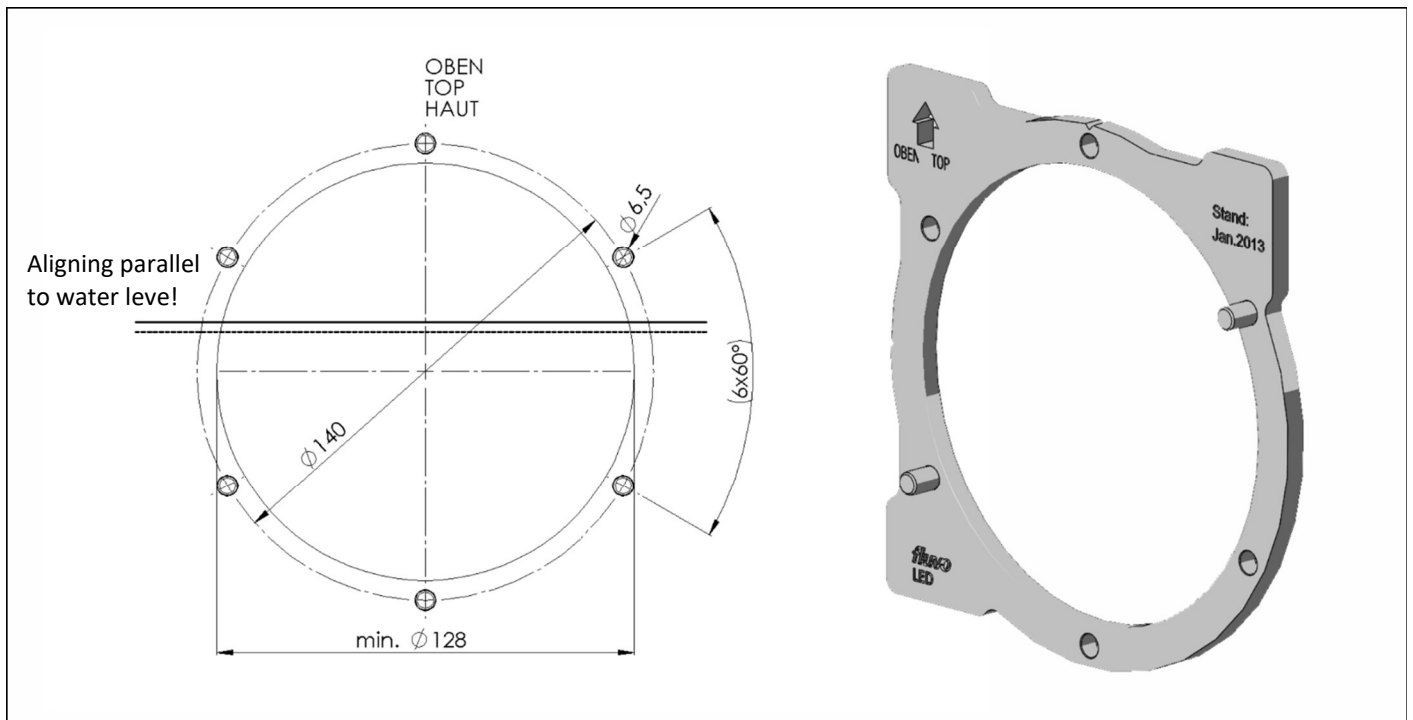


Fig. 21 Basin neckline and Drilling template



Attention!

Ensure a horizontal and dimensionally correct installation.
Subsequent adjustment of the assembly kit is no longer possible.

6.5. Installation instructions for preassembled pool

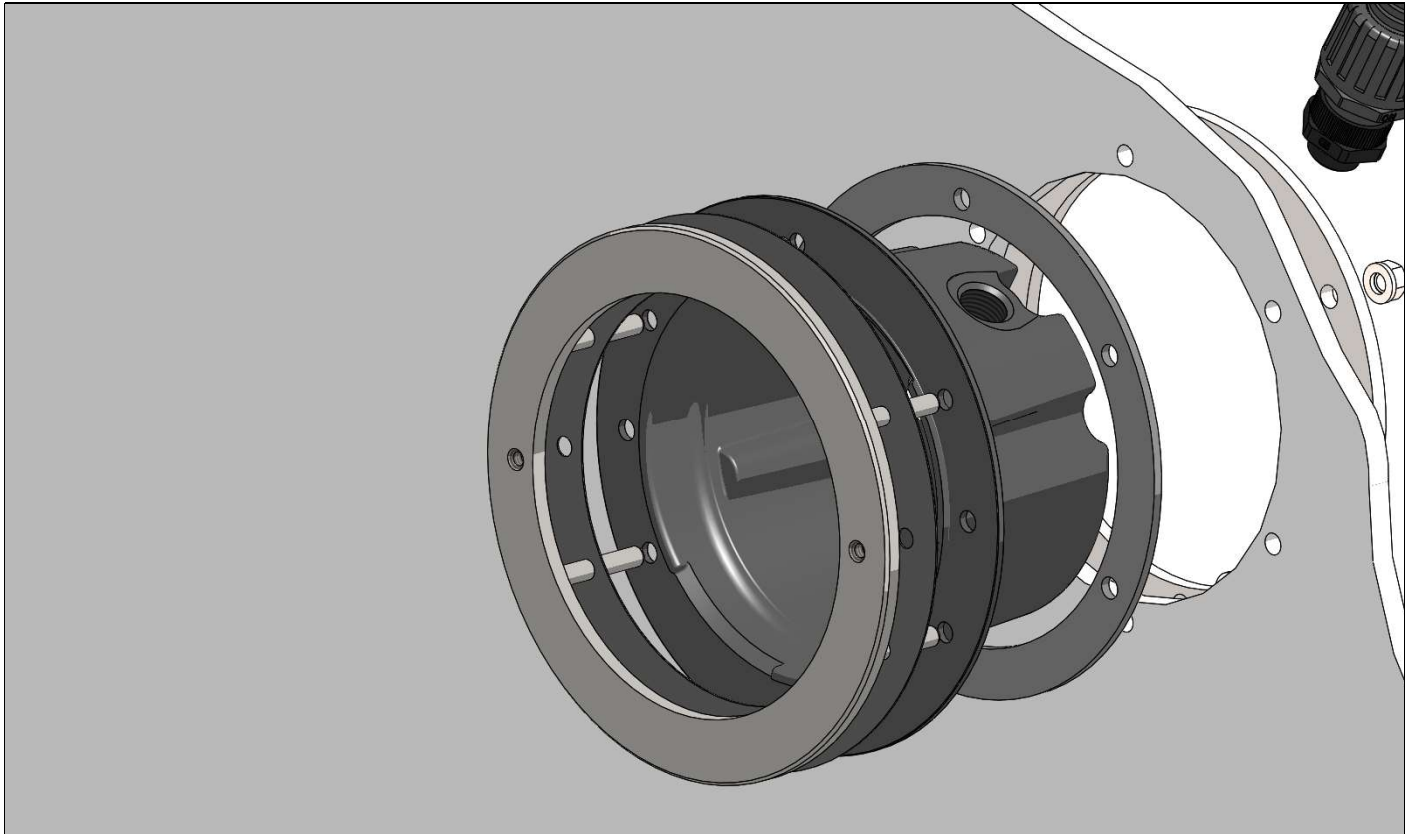


Fig. 22 Installation sequence for installation kit for prefabricated pool



Attention!

- A thin seal must be placed between the front clamp ring and the installation housing!
- Only install the cable protection system tightly after the installation housing has been fitted.

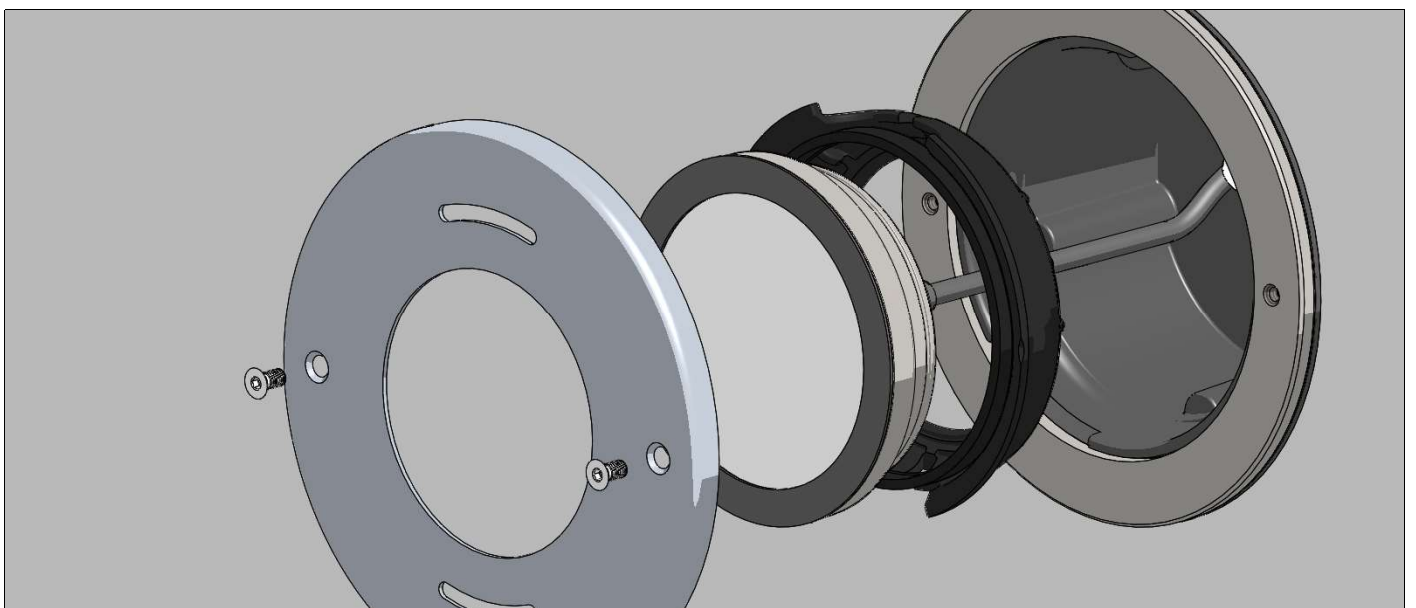


Fig. 23

6.6. Installation instructions for stainless steel pool



Attention!

Ensure a horizontal and dimensionally correct installation. Subsequent adjustment of the assembly kit is no longer possible.

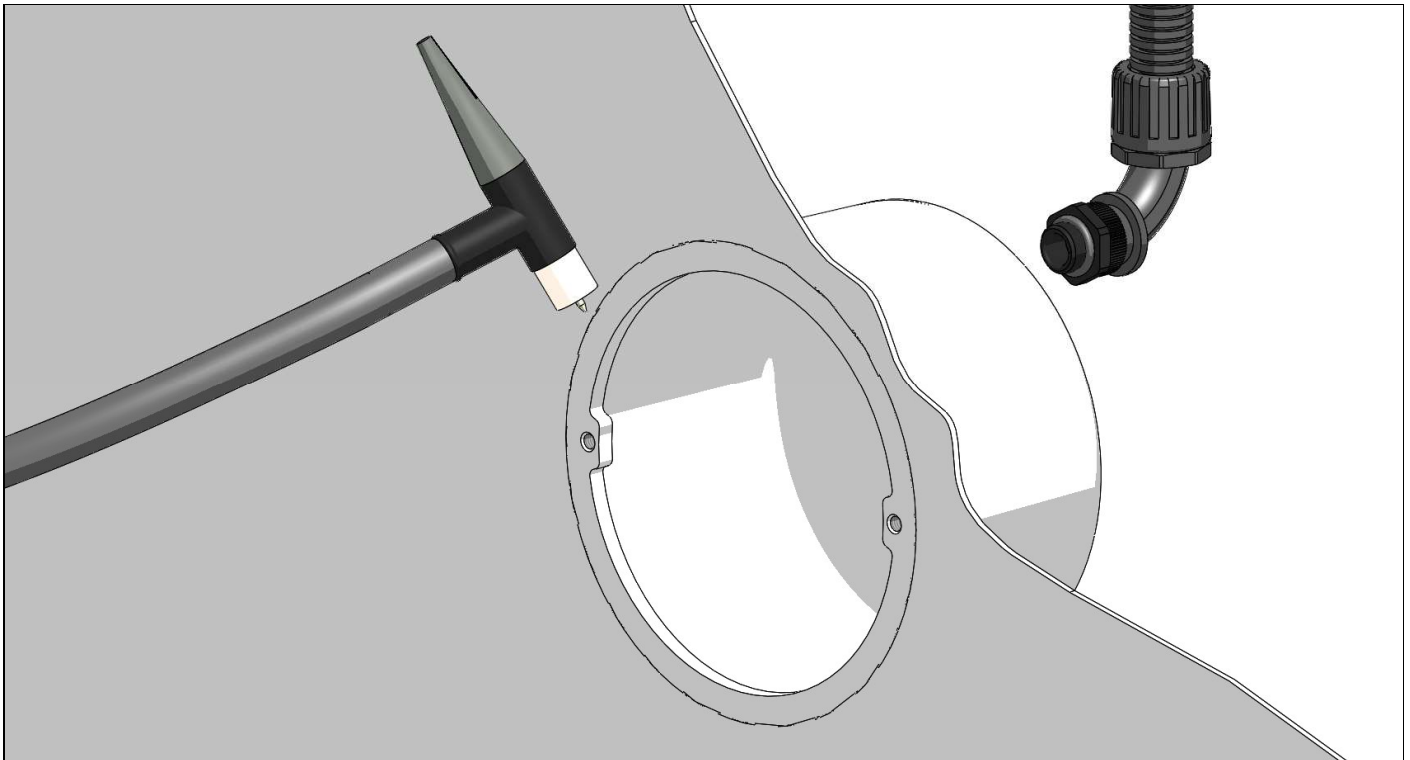


Fig. 24 Installation housing of stainless steel pool – weld on flush with the pool (then fit the cable protection system tightly)

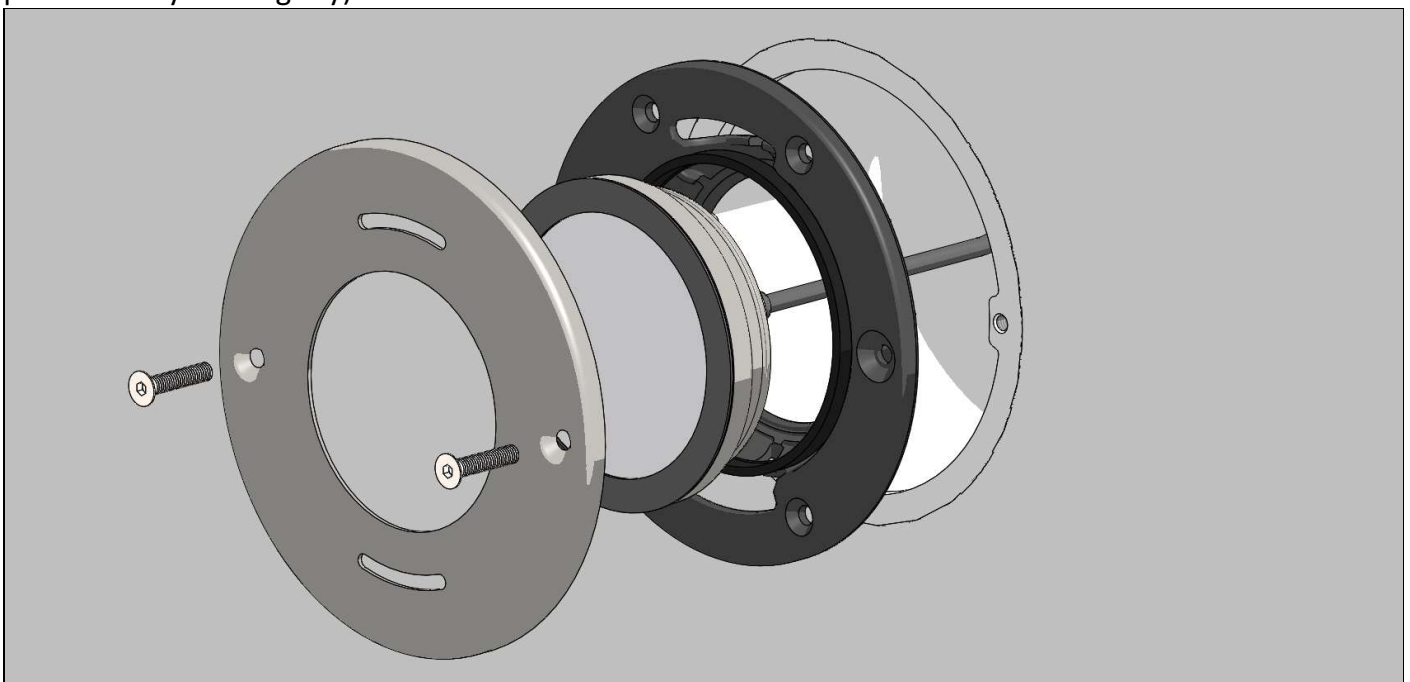


Fig. 25 Stainless steel pool assembly kit (example: standard model – round)

6.7. Installation instructions for retro-fitting

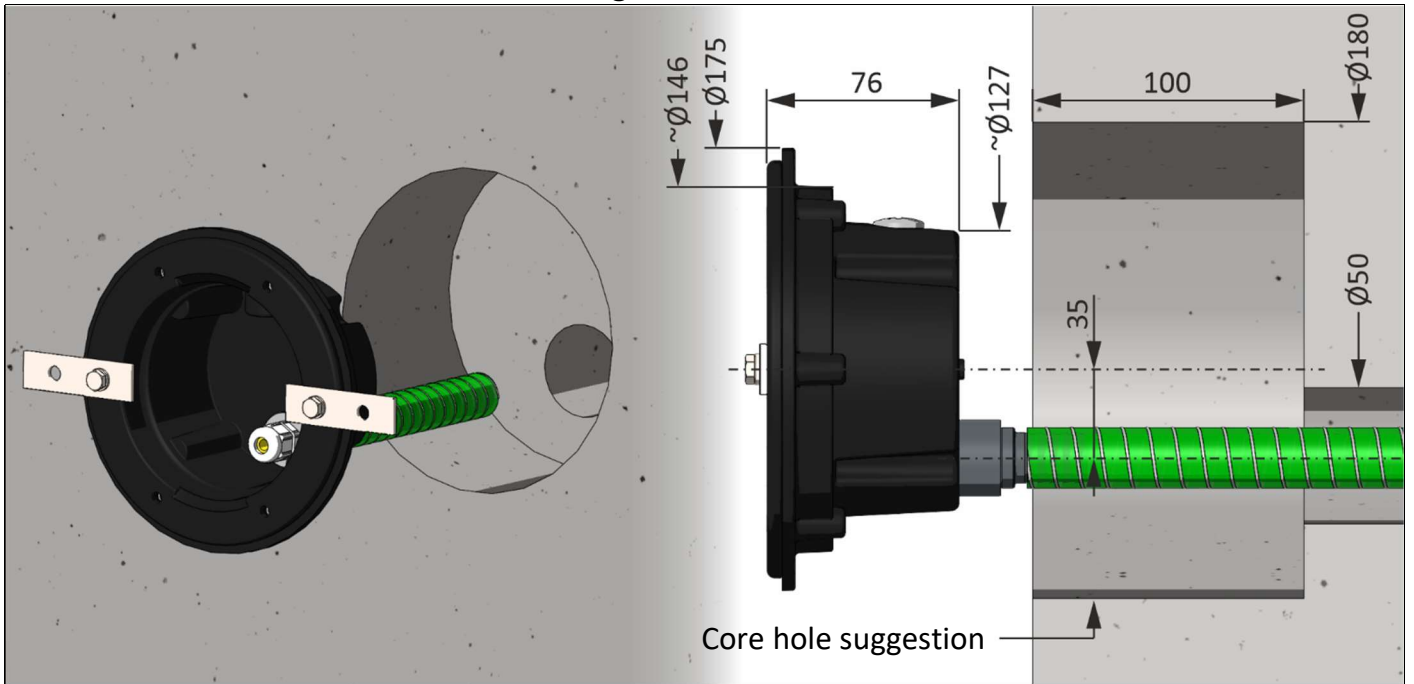


Fig. 26

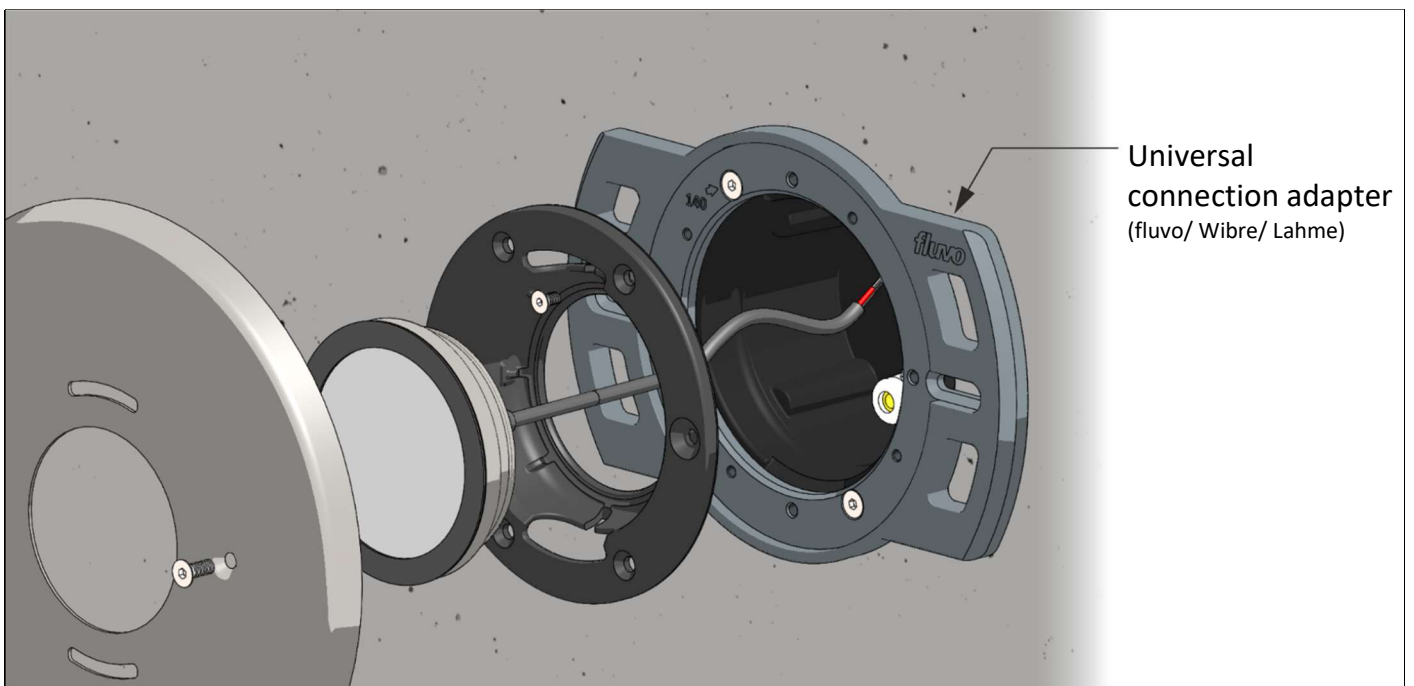


Fig. 27

7. Installation preparation and assembly luchs NT 56

7.1. Installation instructions for concrete pool (tiled – with or without liquid seal)

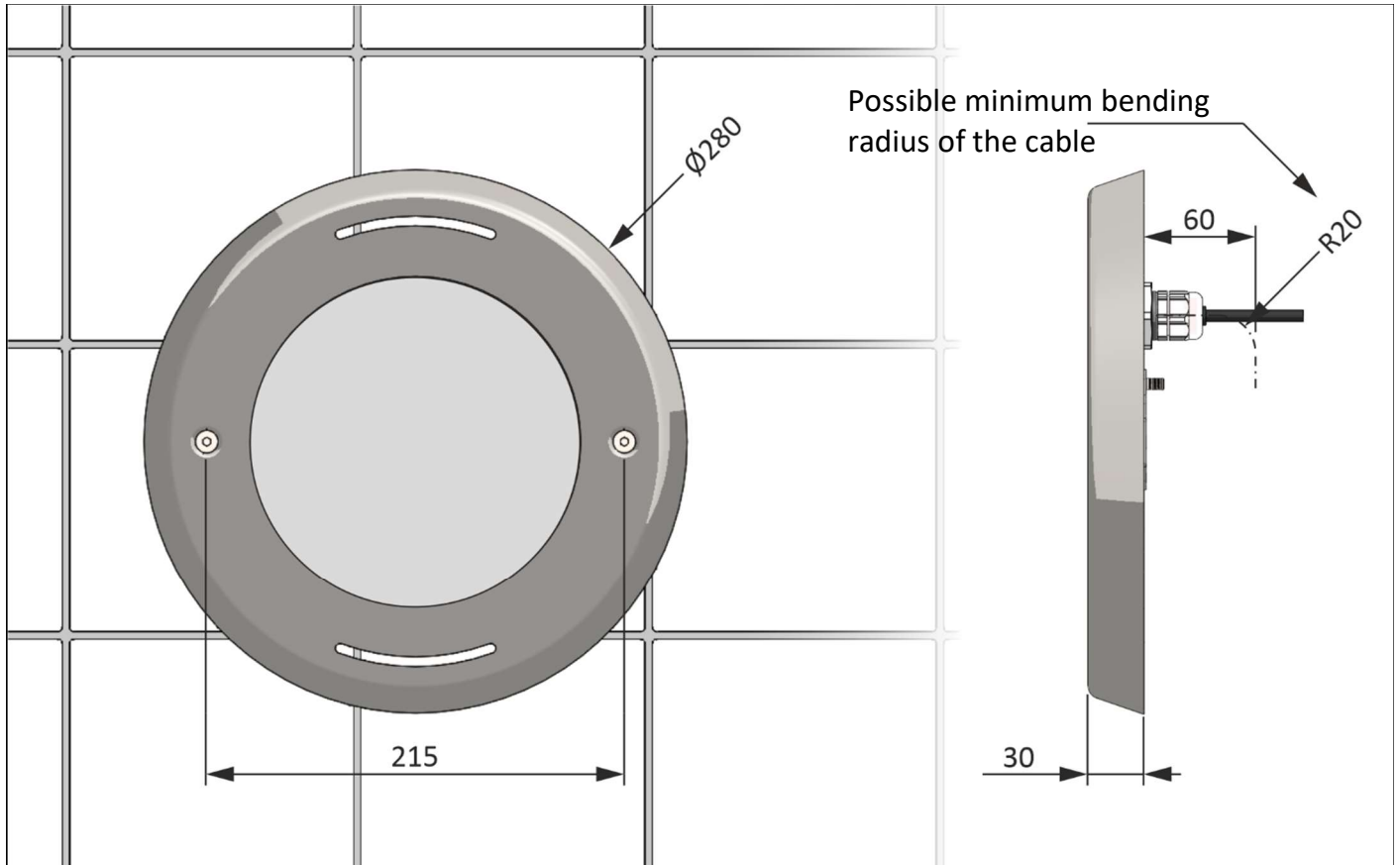


Abb. 28

7.2. Installation procedure, retrofitting

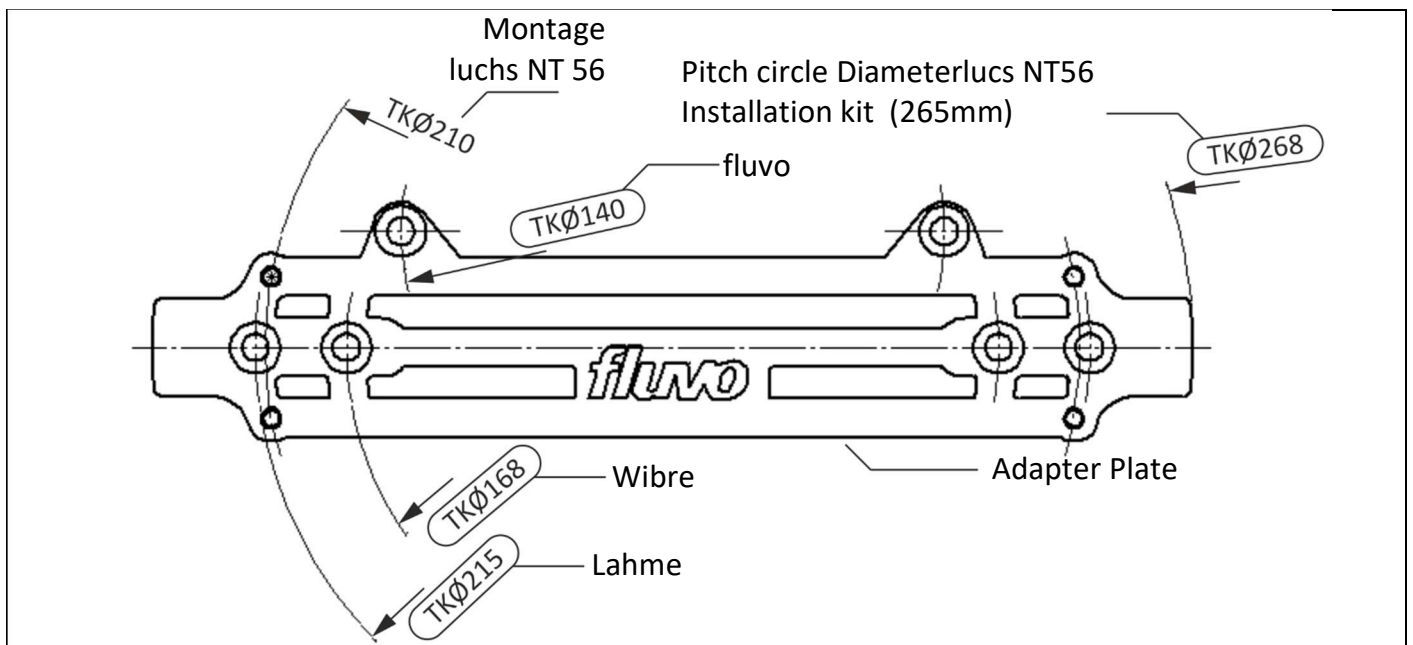


Fig. 29

8. Explosions drawings

8.1. Installation kit luchs NT Spot

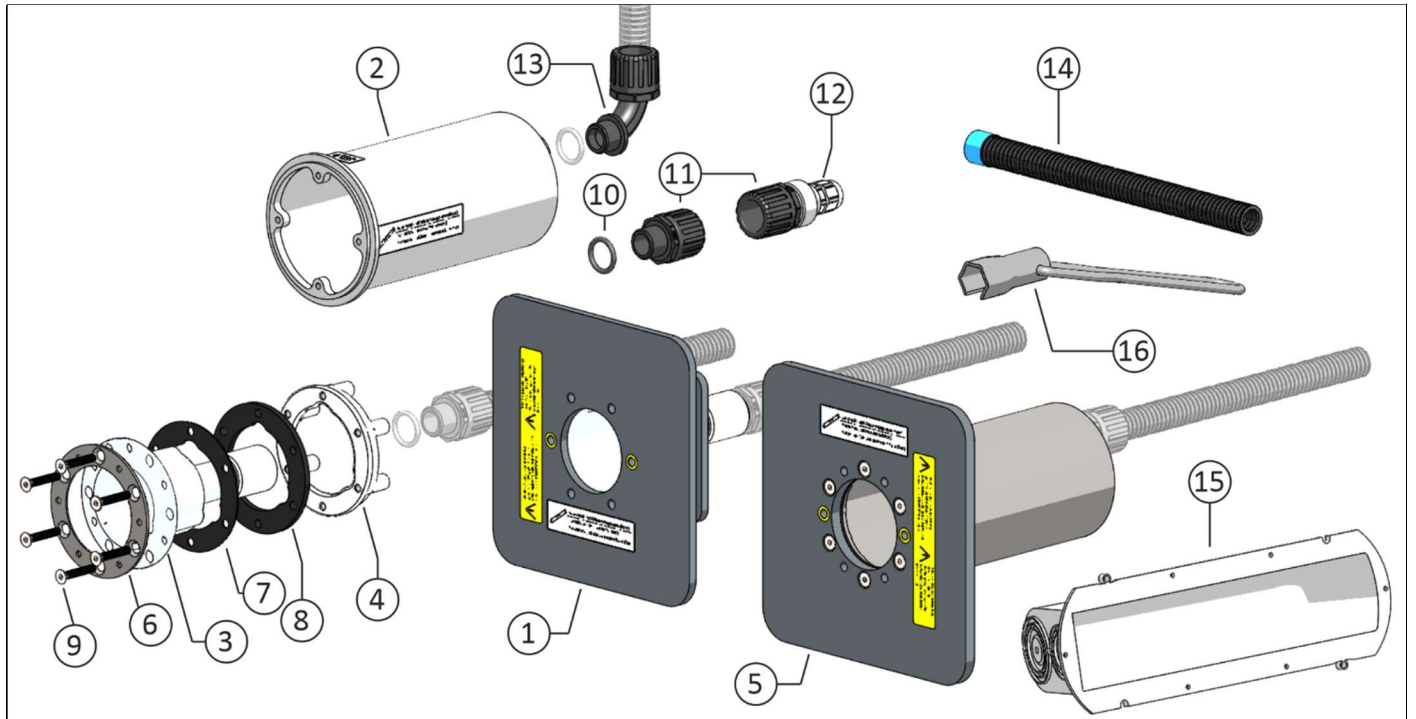


Fig. 30

8.2. Assembly kit luchs NT Spot

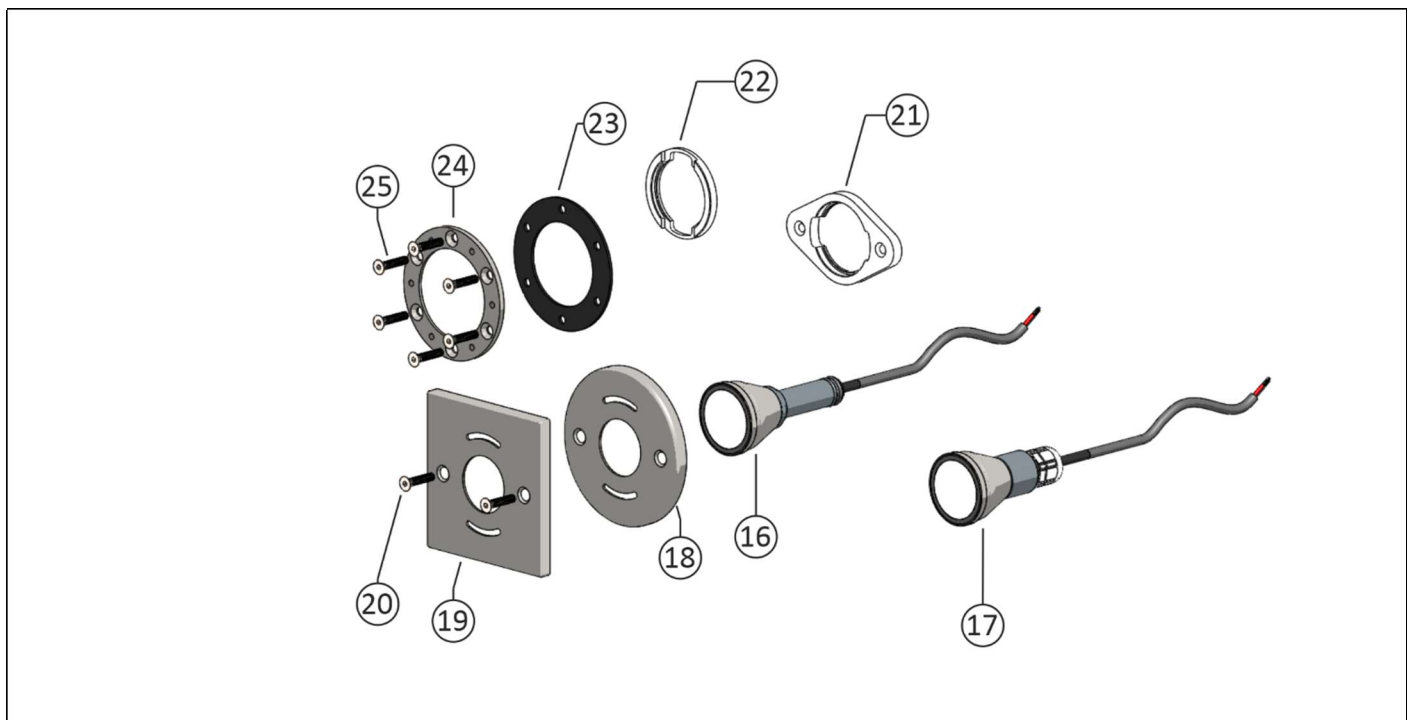


Fig. 31

8.3. Installation kit luchs NT2

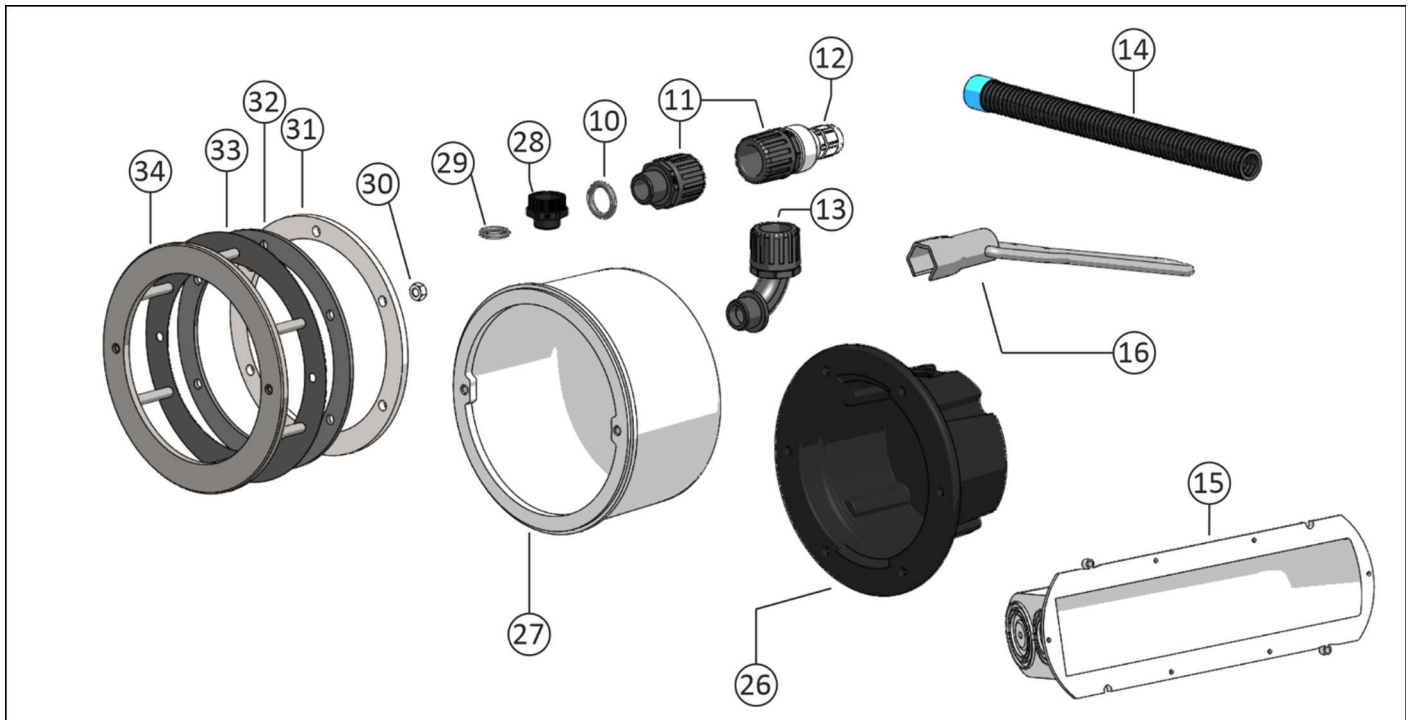


Fig. 32

8.4. Assembly kit luchs NT2

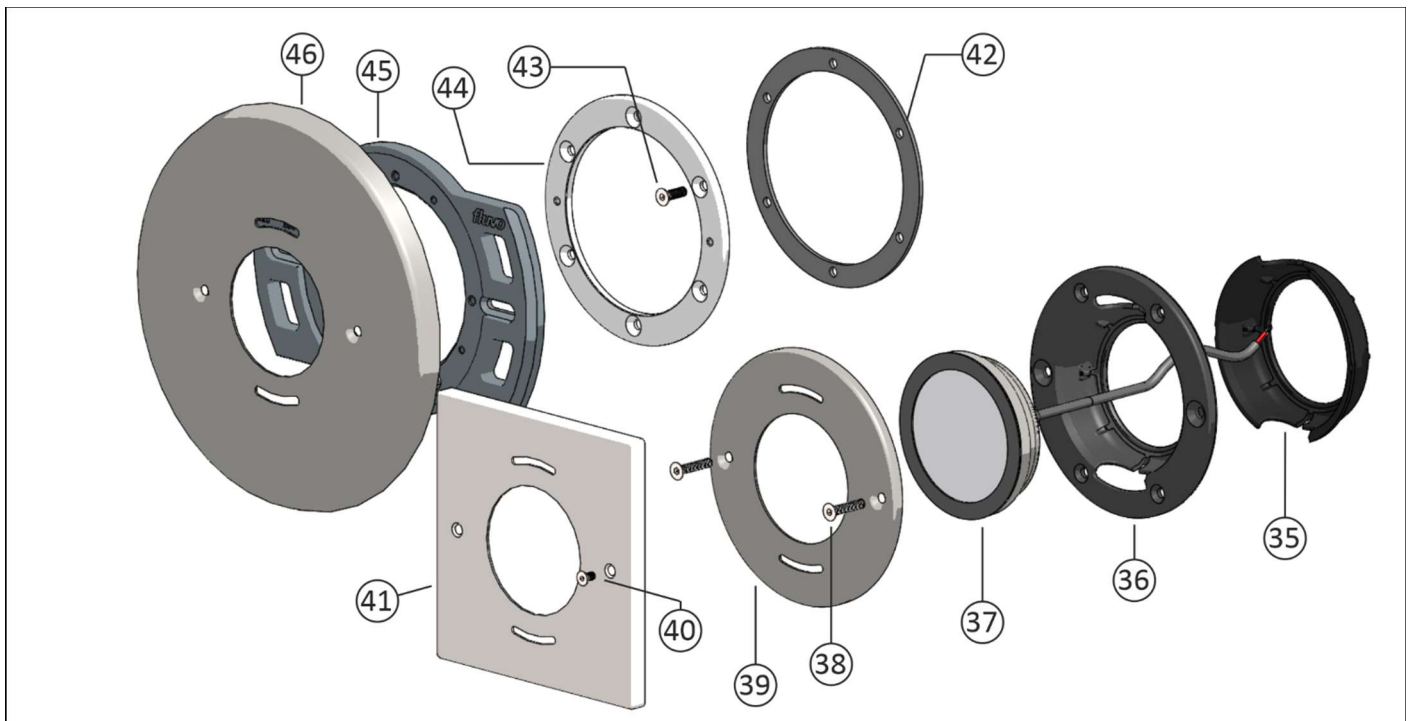


Fig. 33

8.5. Installation kit luchs NT56

Installation in fluvo installation kit for concrete pool with tiles
(with and without liquid seal) possible! Adaptation in various installation kits possible; see figure 29.

8.6. Assembly kit luchs NT56

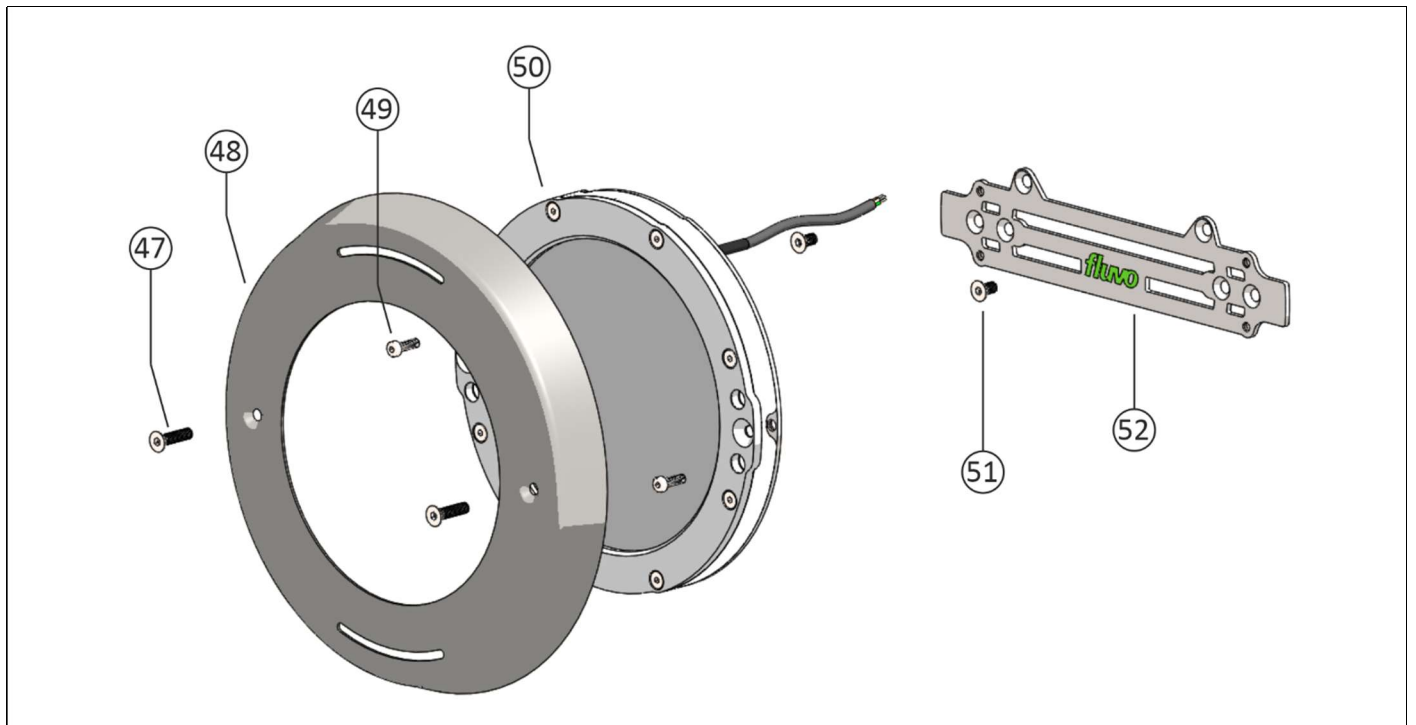


Fig. 34

schmalenberger
strömungstechnologie

Im Schelmen 9 – 11
D-72072 Tübingen / Germany



+49 (0)7071 70 08 – 0
+49 (0)7071 70 08 - 10 (Fax)
www.fluvo.de
info@schmalenberger.de

© 2021 Schmalenberger GmbH + Co. KG; All rights reserved
Manuel is subject to changes

luchs NT Spot | NT2 | NT56
27134-D